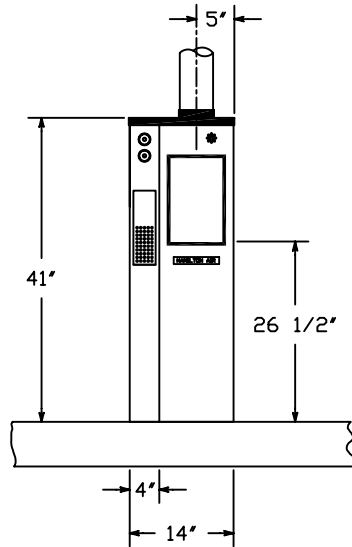
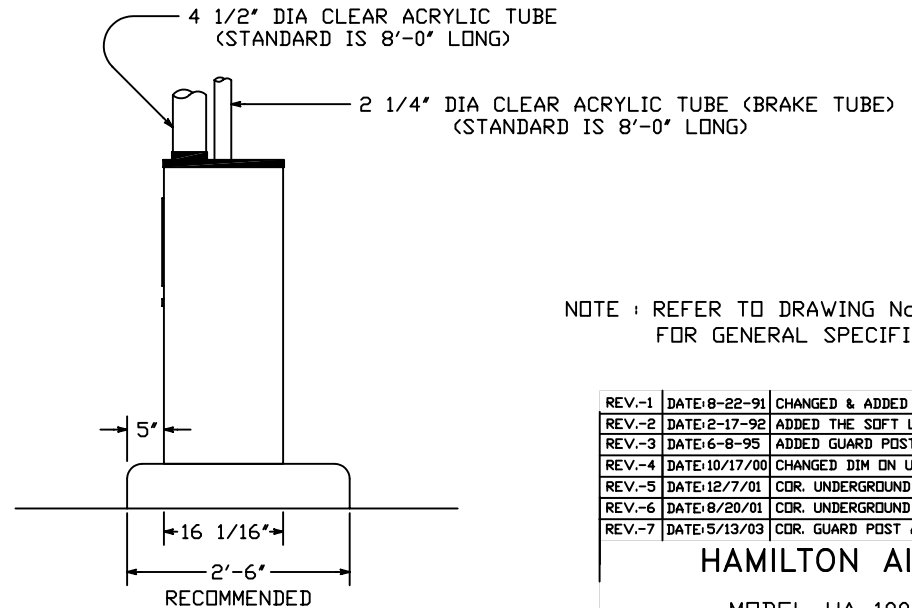


LEFT SIDE ELEVATION



FRONT ELEVATION



RIGHT SIDE ELEVATION

NOTE : REFER TO DRAWING No 99-268 FOR GENERAL SPECIFICATIONS.

| | | |
|--------|---------------|---------------------------------|
| REV.-1 | DATE:8-22-91 | CHANGED & ADDED MISC. NOTES |
| REV.-2 | DATE:2-17-92 | ADDED THE SOFT LANDING KIT. |
| REV.-3 | DATE:6-8-95 | ADDED GUARD POST ARRROUND UNIT. |
| REV.-4 | DATE:10/17/00 | CHANGED DIM ON UNDERGROUND CON. |
| REV.-5 | DATE:12/7/01 | CDR. UNDERGROUND CONDUIT VIEW.. |
| REV.-6 | DATE:8/20/01 | CDR. UNDERGROUND CONDUIT VIEW.. |
| REV.-7 | DATE:5/13/03 | CDR. GUARD POST ARRROUND UNIT. |

HAMILTON AIR

MODEL HA-1000
UPSEND CUSTOMER UNIT