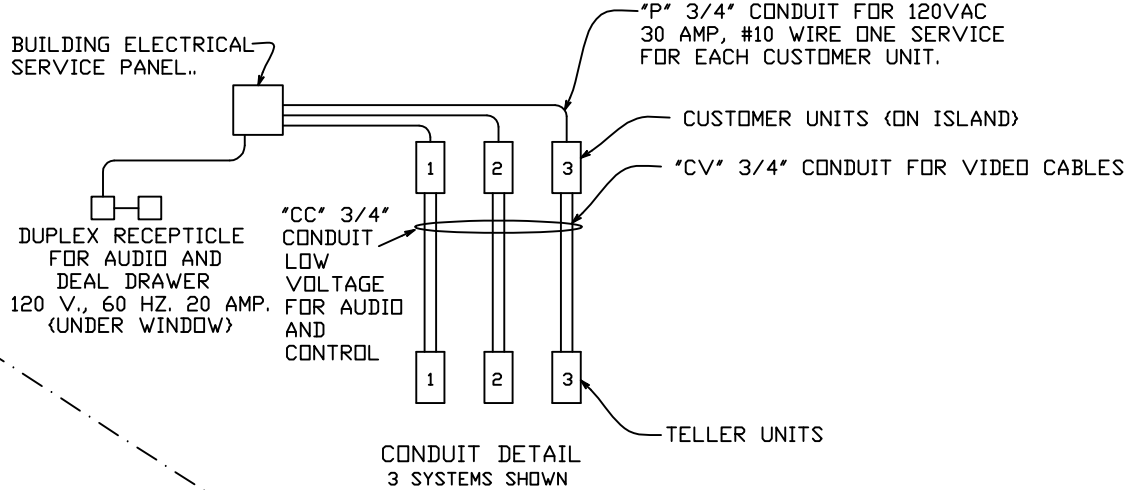
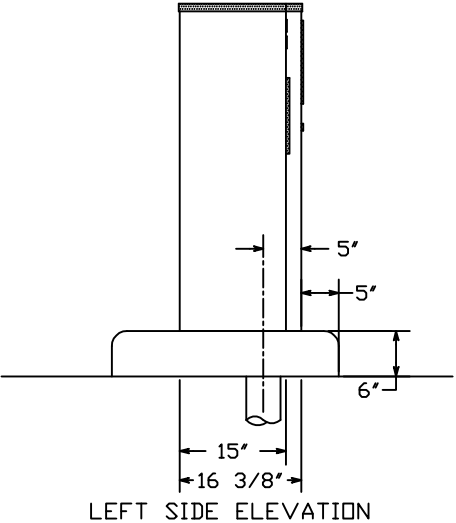


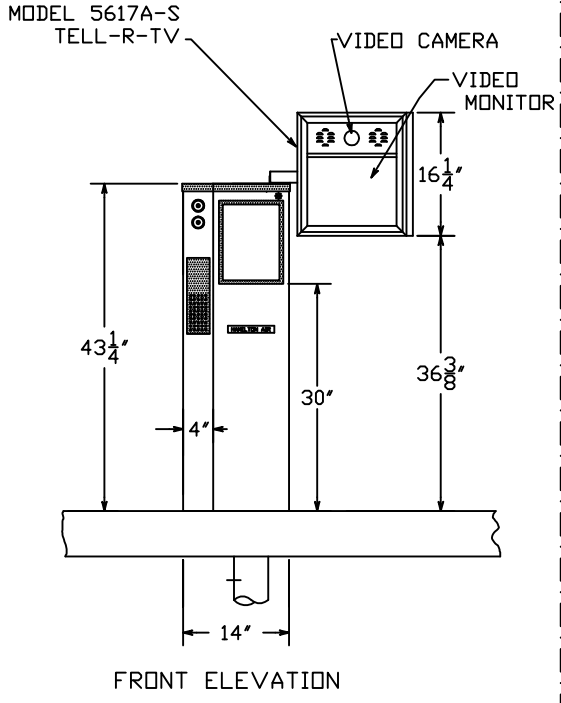
UNDERGROUND TEMPLATE LOCATION
 TEMPLATE IS INSTALLED IN ISLAND
 PRIOR TO TUBING INSTALLATION



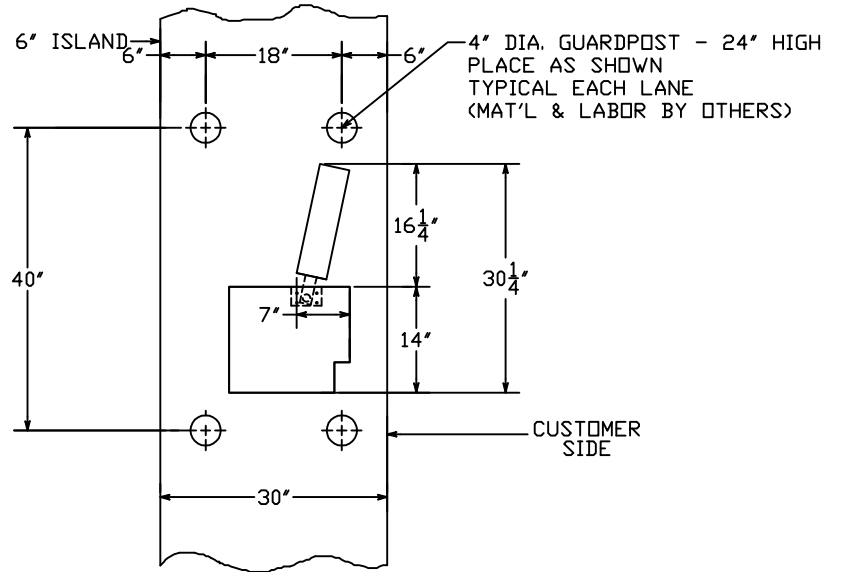
CONDUIT DETAIL
 3 SYSTEMS SHOWN



LEFT SIDE ELEVATION



FRONT ELEVATION



PLAN VIEW OF UNIT

HAMILTON AIR
 MODEL HA-1000
 DOWNSEND CUSTOMER UNIT
 W/ 5617A-S TELL-R-TV