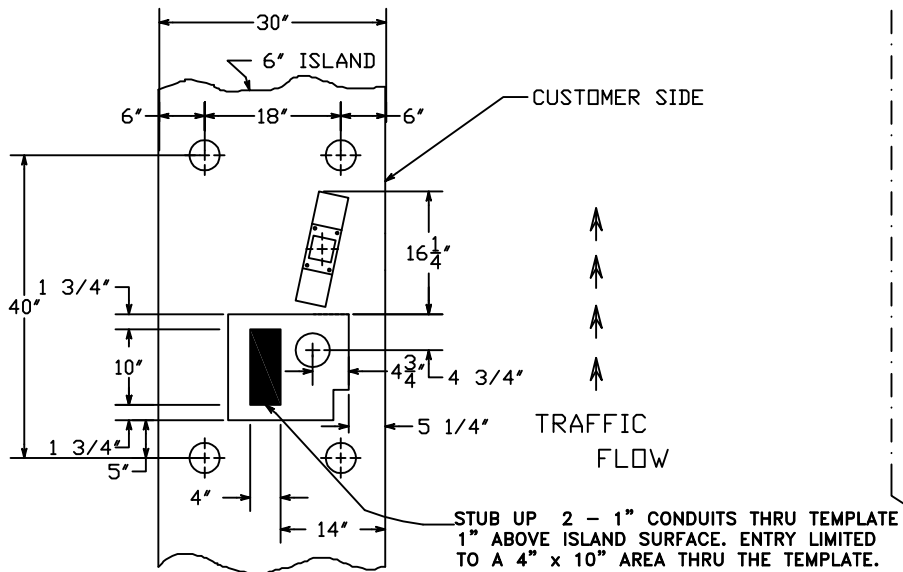


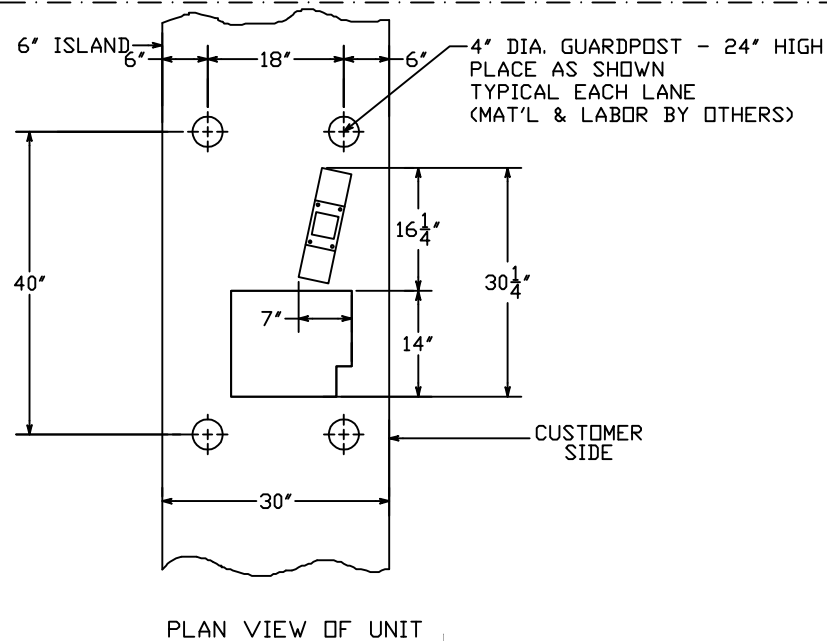
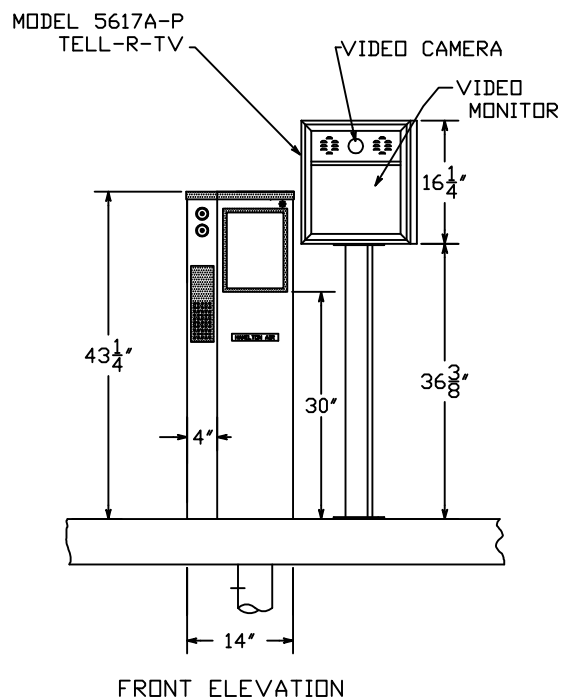
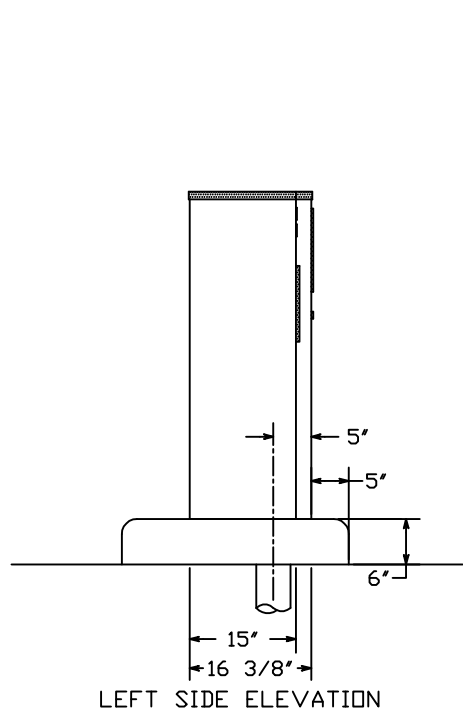
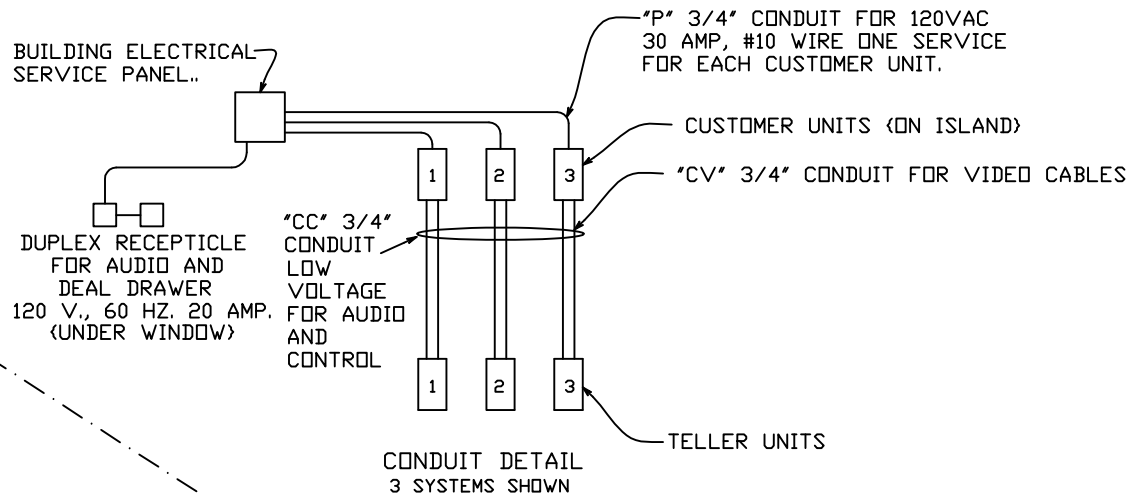
Rev - 1

Rev - 2



UNDERGROUND TEMPLATE LOCATION

TEMPLATE IS INSTALLED IN ISLAND PRIOR TO TUBING INSTALLATION



HAMILTON AIR

MODEL HA-1000
DOWNSEND CUSTOMER UNIT
W/ 5617A-P TELL-R-TV