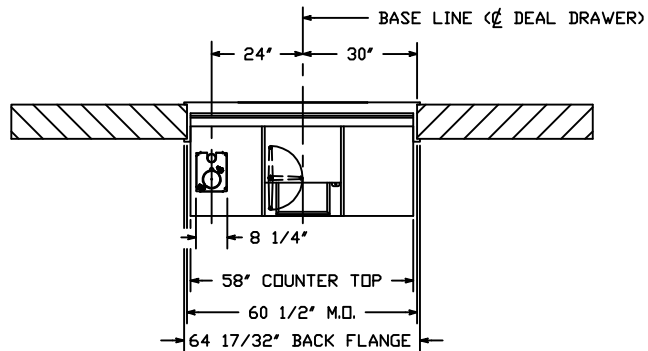
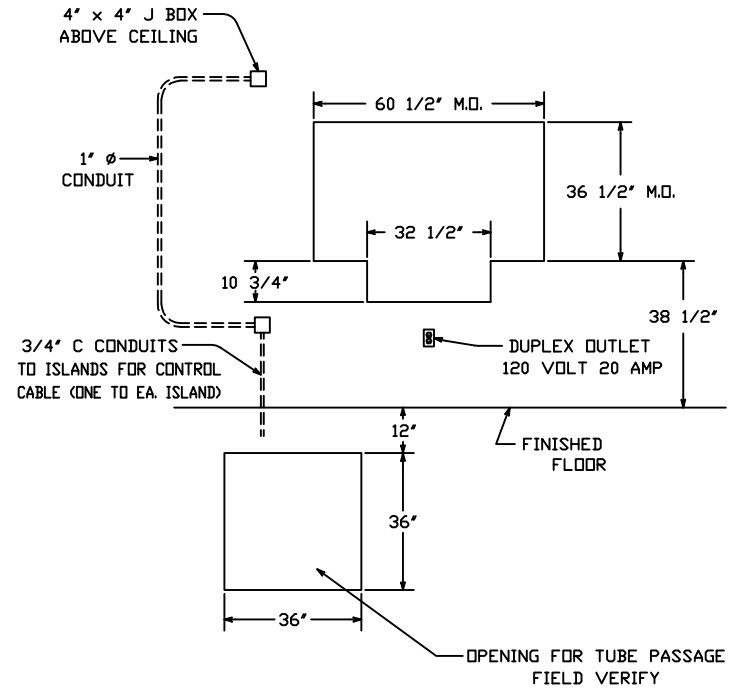


PLAN

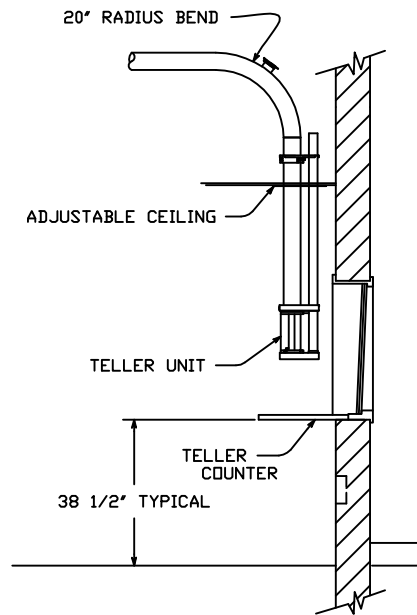
NOTE : *P* CONDUITS TO BUILDING POWER PANEL
 C CONDUITS TO JUNCTION BOX BELOW COUNTER
 AND EXTEND ABOVE CEILING TO TELLER AREA.
 SEE DRAWING 99-266.



PLAN - INTERIOR



MASONRY DETAIL
 (FOR MODEL 035D U.L. WINDOW)



SECTION

REFERENCE DRAWING NUMBER #99-265 ; 99-266

ELECTRICAL CONTRACTOR TO PROVIDE

- ALL CONDUIT AS DETAILED
- 20 AMP SERVICE TO TELLER AREA, AS SHOWN
- 117 VAC SERVICE, 20 AMP SERVICE TO EACH CUSTOMER UNIT (17 AMP FULL LOAD)
- CONDUIT *C* IS FOR LOW VOLTAGE CONTROL CABLES INSTALLED BY TUBE SUPPLIER - ELECTRICAL CONTRACTOR TO PROVIDE PULL WIRES IN EACH CONDUIT

REV-1 DATE:	
REV-2 DATE:	
REV-3 DATE:	

HAMILTON AIR

MODEL HA-1000-111 INTERIOR
 DOWNSEND CUSTOMER UNIT WITH
 OVERHEAD TELLER UNIT