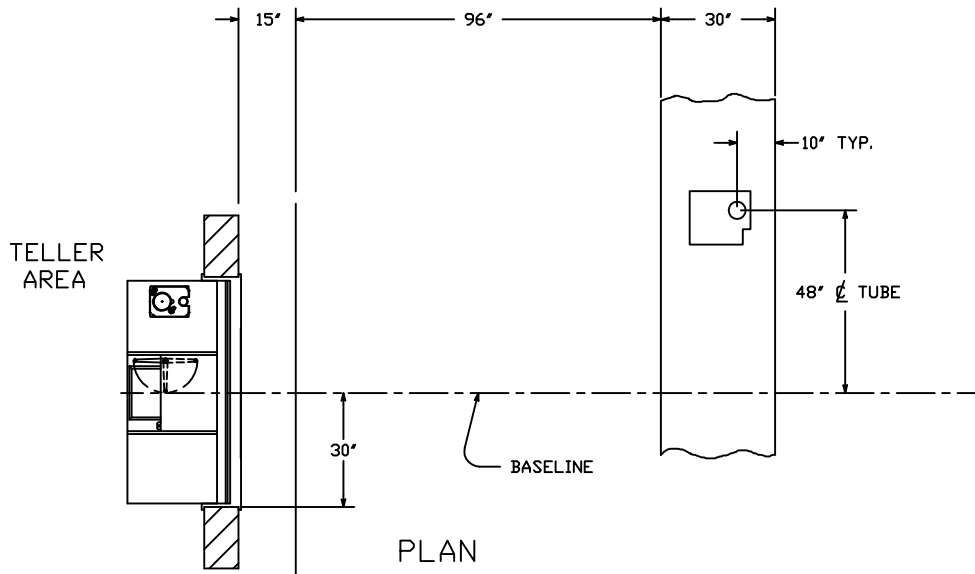
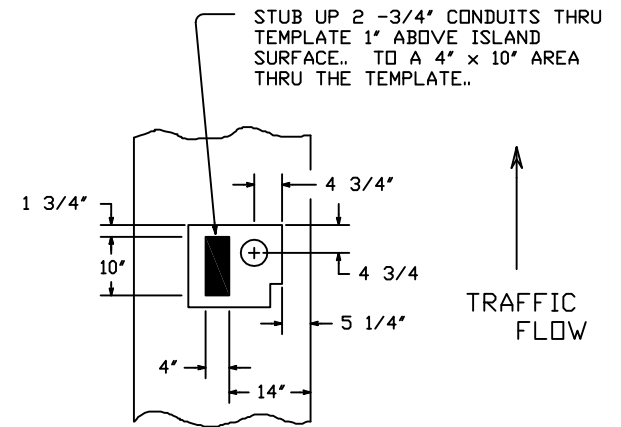


SECTION



PLAN



CUSTOMER UNIT TEMPLATE  
(ALSO SEE DWG. 99-350)

GENERAL CONTRACTOR TO PROVIDE :

- TRENCH AS SHOWN WITH 6' SAND BASE
- LOCATION & INSTALLTION OF TEMPLATE
- 18" SAND BACKFILL OVER TUBES (SAND TO BE ON SITE PRIOR TO ARRIVAL OF TUBE INSTALLER)
- DEBRIS FREE BACKFILL OVER SAND AS REQUIRED
- ALL MASONRY OPENING & FINISH OF OPENING AFTER TUBE INSTALLATION
- ALL NECESSARY CONCRETE & MASONRY WORK
- ALL NECESSARY ELECTRICAL APPARATUS & WIRING AS PER DRAWING No. 99-352
- REFER TO DRAWING 99-803 FOR TRENCH DETAILS

REV.-1	DATE:	
REV.-2	DATE:	
REV.-3	DATE:	

HAMILTON AIR

MODEL HA-1000-111 SYSTEM  
DOWNSEND CUSTOMER UNIT WITH  
OVERHEAD TELLER UNIT