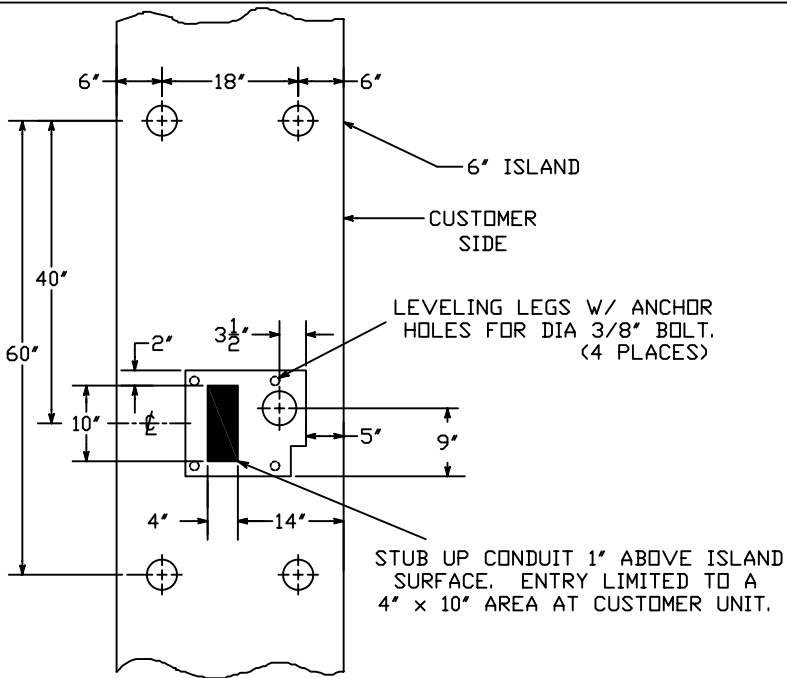
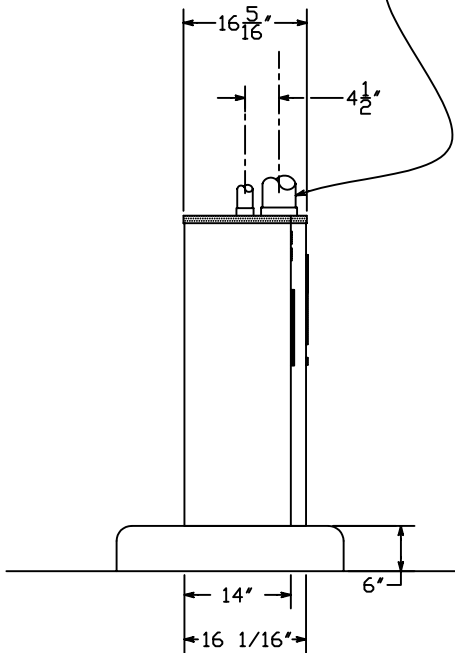


Rev - 1	
Rev - 2	

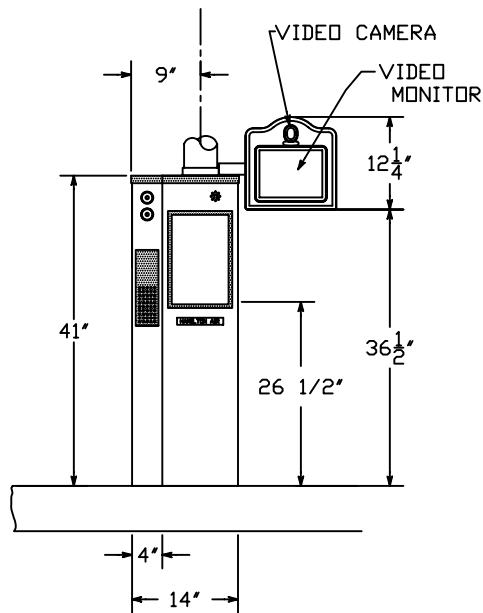


UNDERGROUND CONDUIT ENTRY

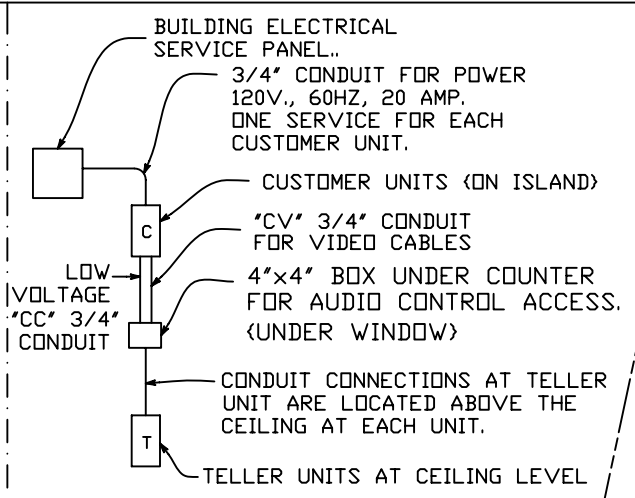
4 1/2" AND 2 1/4" CLEAR TUBE (STANDARD IS 8'-0" LONG)



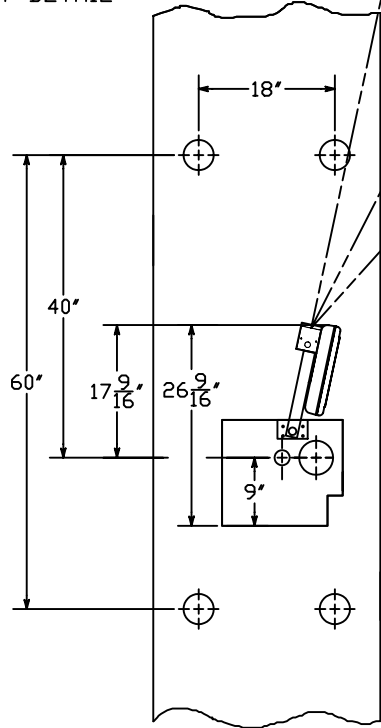
LEFT SIDE ELEVATION



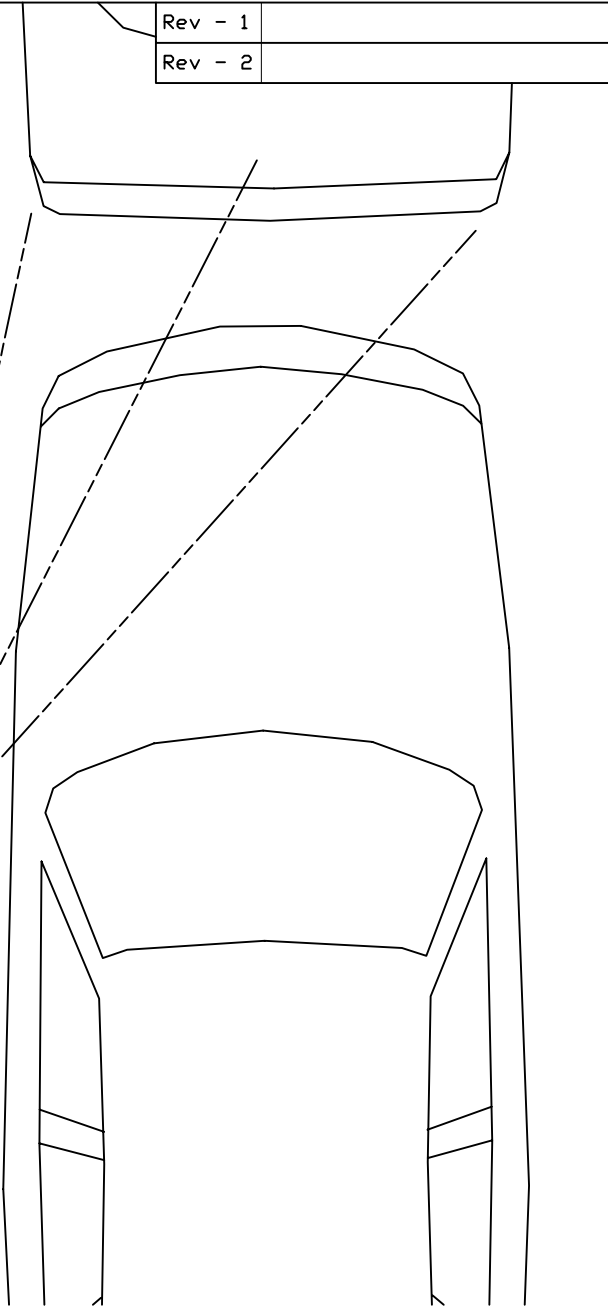
FRONT ELEVATION



CONDUIT DETAIL



PLAN VIEW
HA1000 WITH 5517 TELL-R-TV
AND LICENSE VIEW CAMERA



HAMILTON AIR

MODEL HA-1000 UPSEND CUSTOMER UNIT W/ MODEL 5517 TELL-R-TV AND LICENSE VIEW CAMERA OPTION