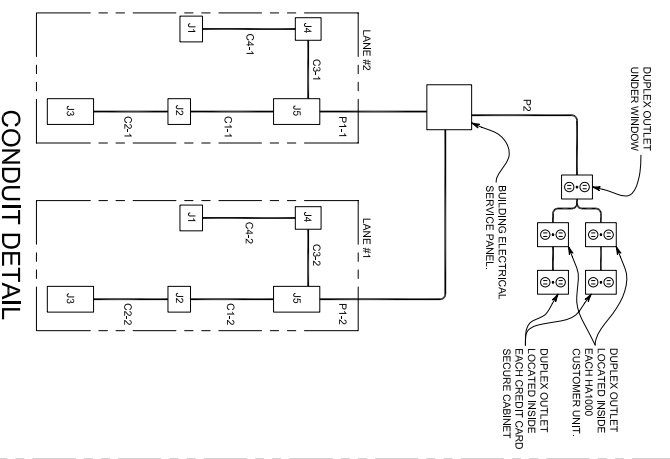


ELECTRICAL CONTRACTOR TO PROVIDE:

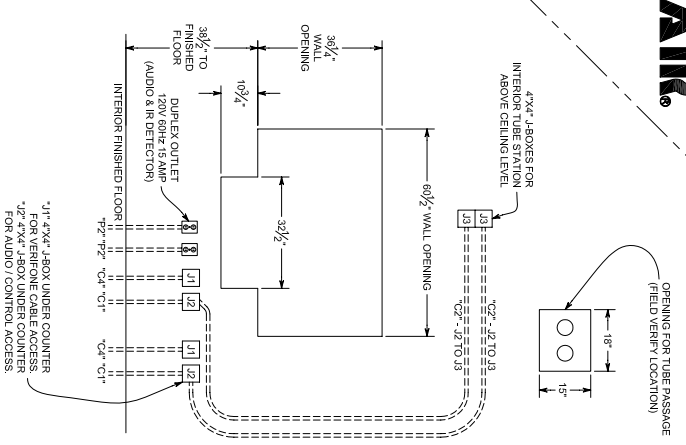
- ALL CONDUITS IS 1" DIAMETER UNLESS NOTED
- CONDUITS "C1" 120V, 60HZ, 30 AMP SERVICE TO EACH CUSTOMER UNIT (20 AMP FULL LOAD)
- CONDUITS "C2" 120V, 60HZ, 15 AMP SERVICE TO EACH CUSTOMER UNIT. EACH CREDIT CARD CABINET AND UNDER WINDOW INSIDE.
- CONDUITS "C3" WITH PULL WIRE FOR LOW VOLTAGE CONTROL, AUDIO, AND VIDEO CABLES INSTALLED BY HAMILTON
- CONDUITS "C4" FROM J5 TO J2 AND ON TO CONNECT COAK = FROM J5 TO J2
- CONDUITS "C5" WITH PULL WIRE FOR LOW VOLTAGE CONTROL, AUDIO, AND VIDEO CABLES INSTALLED BY HAMILTON
- CONDUITS "C6" WITH PULL WIRE FOR LOW VOLTAGE CABLES FOR VERIFONE CREDIT CARD MACHINE INSTALLED BY OTHERS
- CONDUITS "C7" FROM J1 TO J1
- CONDUITS "C8" FROM J1 TO J1

ADDITIONAL DRAWINGS TO REFERENCE:

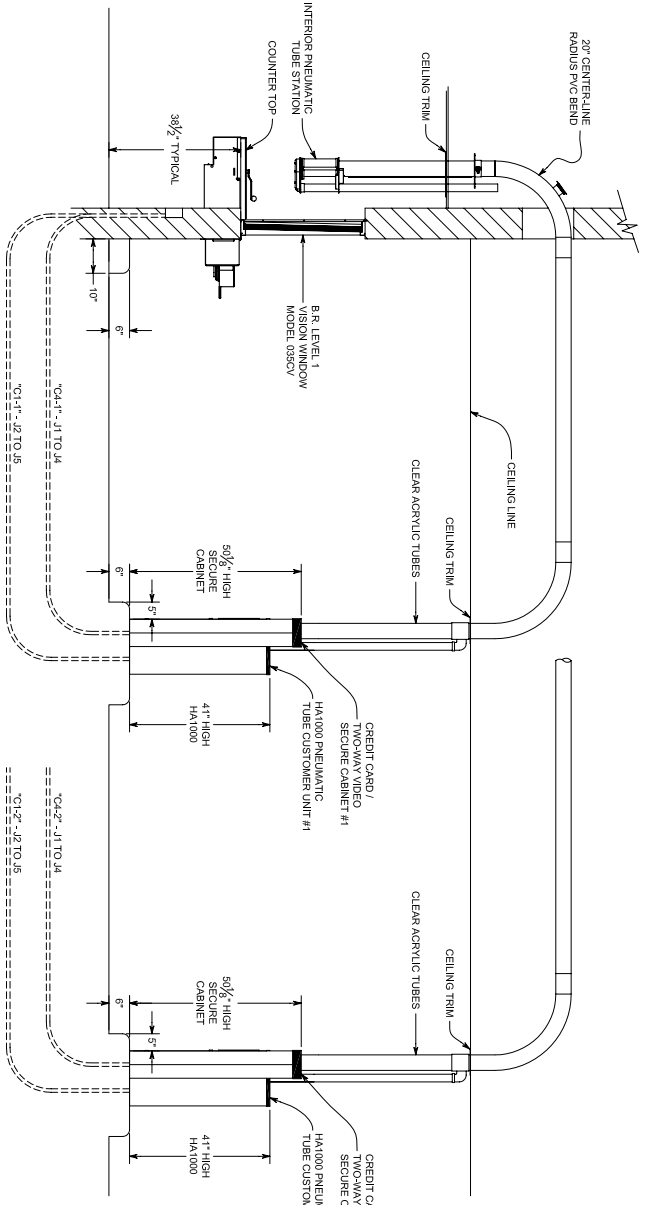
- 98-259
- 98-256
- 98-267
- 98-1032



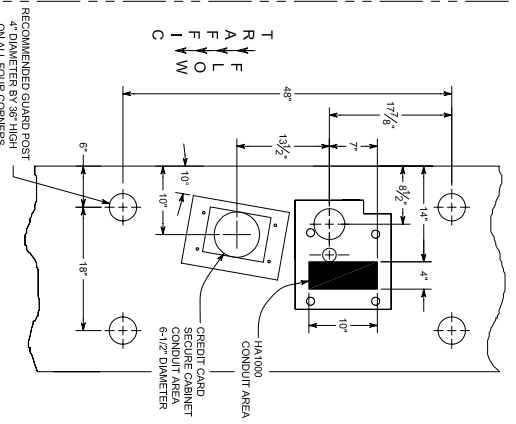
CONDUIT DETAIL



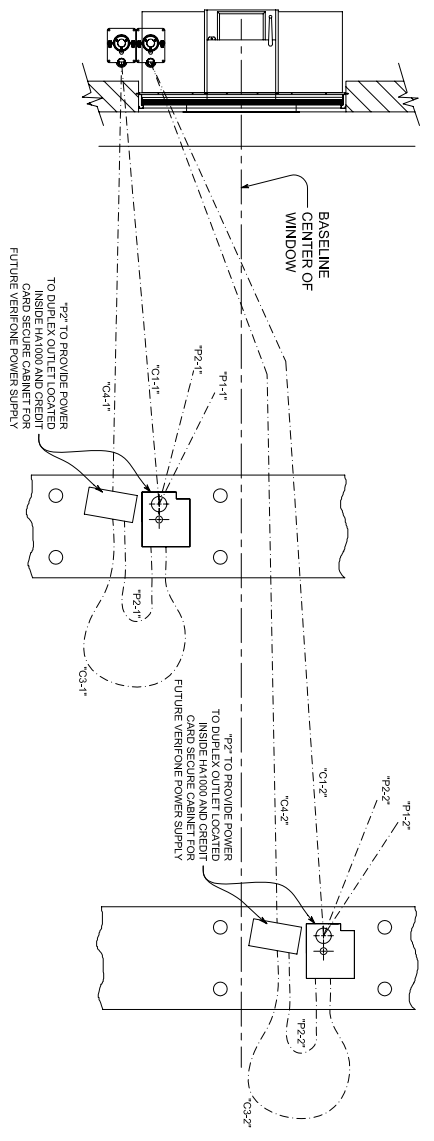
INTERIOR ELEVATION
REFERENCE DRAWING: #98-260



SECTION
REFERENCE DRAWINGS: #98-259, 99-266, 99-267, 99-1032



ISLAND DETAIL
(ALSO SEE DWG No 99-1032)



PLAN

REV	DATE	DESCRIPTION
REV 1	DATE	
REV 2	DATE	
REV 3	DATE	

HAMILTON AIR

KROGER PHARMACY DRIVE-UP, HA1000,
212 REVERSE, 4000D, CREDIT CARD
CABINETS, AND TWO-WAY AUDIO/VIDEO