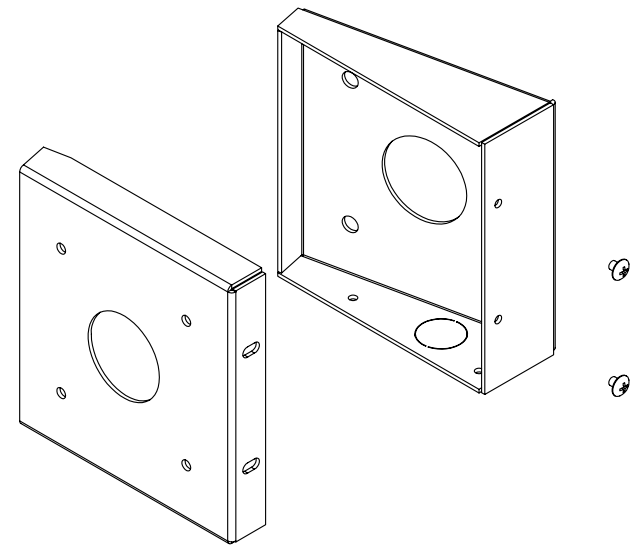
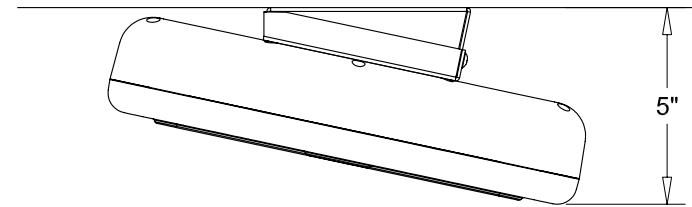


5517 SHOWN MOUNTED
TO WALL UNDER WINDOW
AND BESIDE 400DD DRAWER
USING PART B10077 MOUNT

FRONT VIEW



AUXILIARY VIEW



TOP VIEW

THESE DRAWINGS ARE THE
PROPERTY OF HAMILTON AIR CO.
AND SHALL NOT BE REPRODUCED
OR COPIED OR USED AS THE BASIS
FOR MANUFACTURE OR SALE OF
APPARATUS WITHOUT PERMISSION

REV.-1	DATE:	
REV.-2	DATE:	
REV.-3	DATE:	

HAMILTON AIR

5517 WALL MOUNTING BRACKET
FOR MOUNTING ON FLAT SURFACE
PART NO. B10077

Drawing Number :	99-1057	Date :	11/10/09
------------------	---------	--------	----------