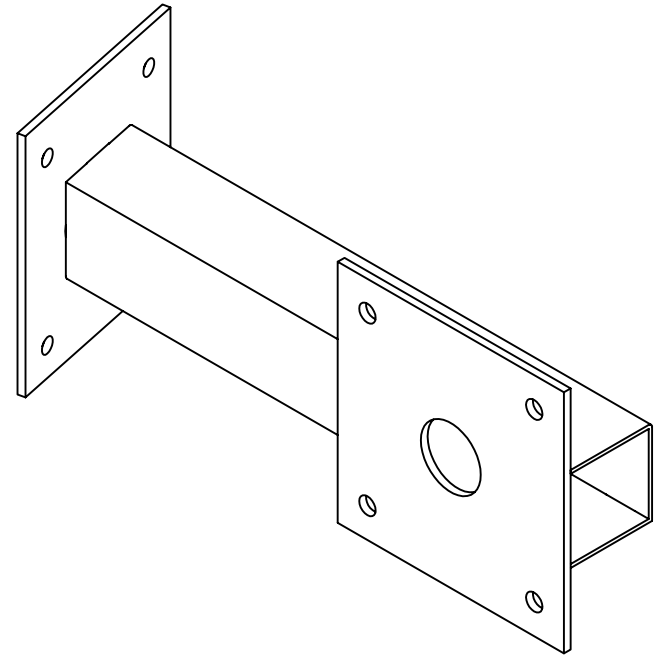


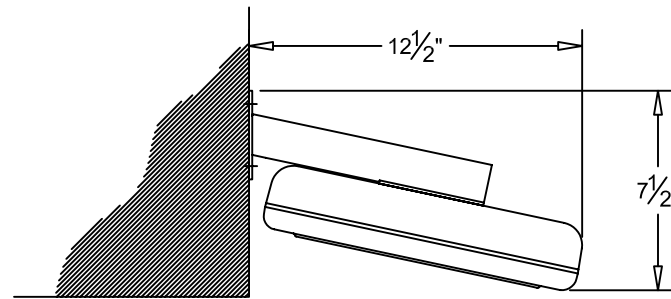
HAMILTON AIR
TELL-R-TV MODEL 5517
TWO-WAY VIDEO UNIT

EXISTING VERTICAL
SURFACE

42" SHOWN
CAN BE ADJUSTED



AUXILIARY VIEW



TOP VIEW

THESE DRAWINGS ARE THE
PROPERTY OF HAMILTON AIR CO.
AND SHALL NOT BE REPRODUCED
OR COPIED OR USED AS THE BASIS
FOR MANUFACTURE OR SALE OF
APPARATUS WITHOUT PERMISSION

| | |
|--------|-------|
| REV.-1 | DATE: |
| REV.-2 | DATE: |
| REV.-3 | DATE: |

HAMILTON AIR

**5517 MOUNTING ARM
FOR VERTICAL SURFACE SIDE MOUNT
PART NO. B10076**

Drawing Number : 99-1056 Date : 11/10/09

FRONT VIEW