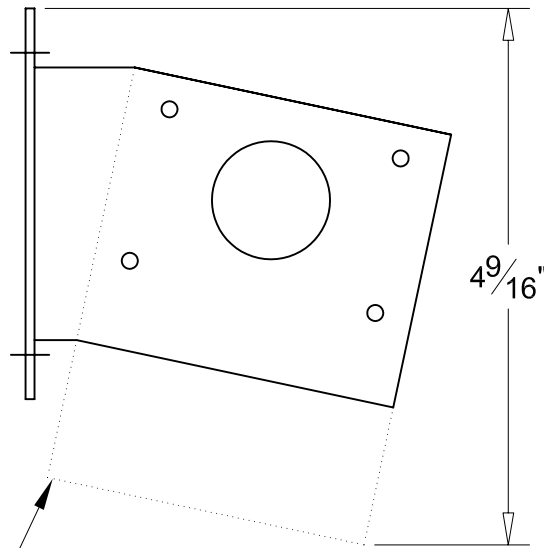
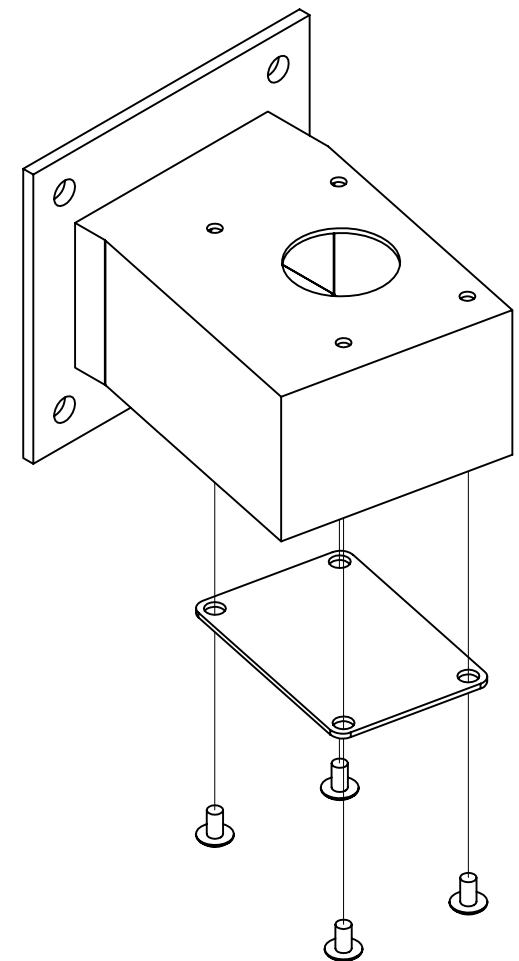
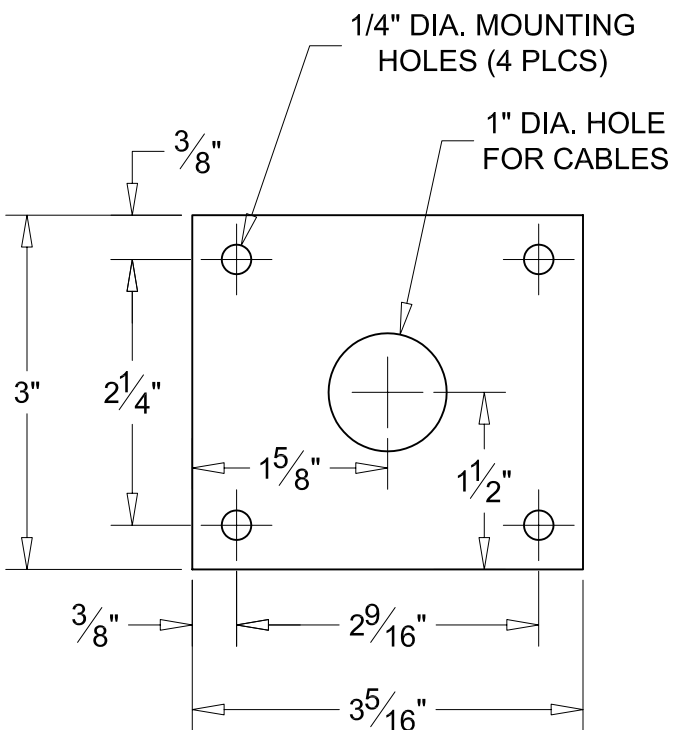
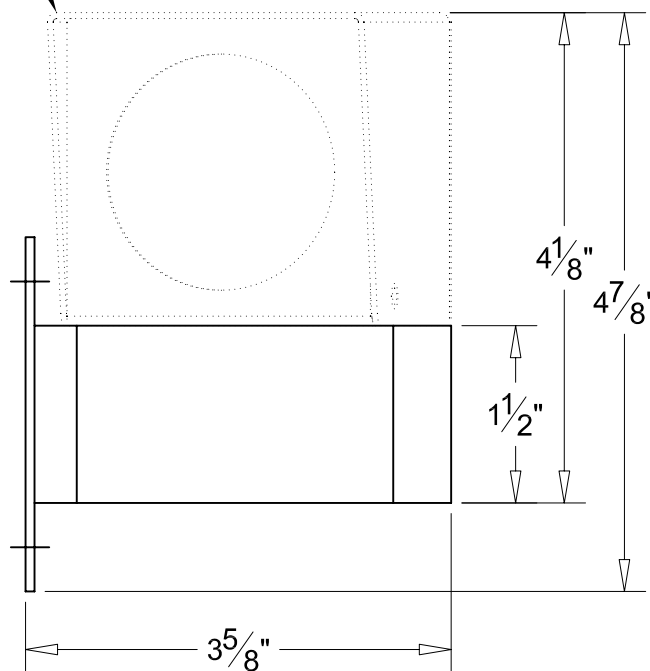


- B10075 - MOUNTING BRACKET FOR
E0465-3WD CAMERA HOUSING
- MOUNTS TO FLAT VERTICAL SURFACE
 - MOUNTS ON RIGHT OR LEFT SIDE
 - STAINLESS STEEL CONSTRUCTION
 - BLACK TEXTURE FINISH
 - E0465-3WD NOT INCLUDED



E0465-3WD
SOLD SEPARATELY



THESE DRAWINGS ARE THE
PROPERTY OF HAMILTON AIR CO.
AND SHALL NOT BE REPRODUCED
OR COPIED OR USED AS THE BASIS
FOR MANUFACTURE OR SALE OF
APPARATUS WITHOUT PERMISSION

REV.-1	DATE:	
REV.-2	DATE:	
REV.-3	DATE:	

HAMILTON AIR

B10075 MOUNTING BRACKET
VERTICAL SURFACE MOUNTING
FOR E0465-3WD CAMERA HOUSING

Drawing Number :	99-1054	Date :	11/4/09
------------------	---------	--------	---------