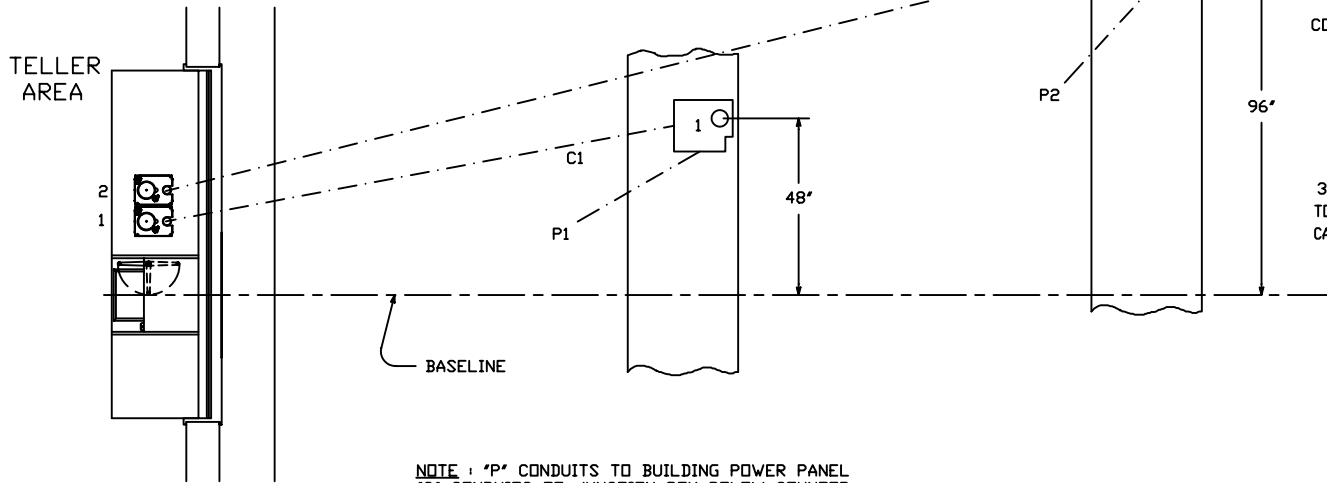


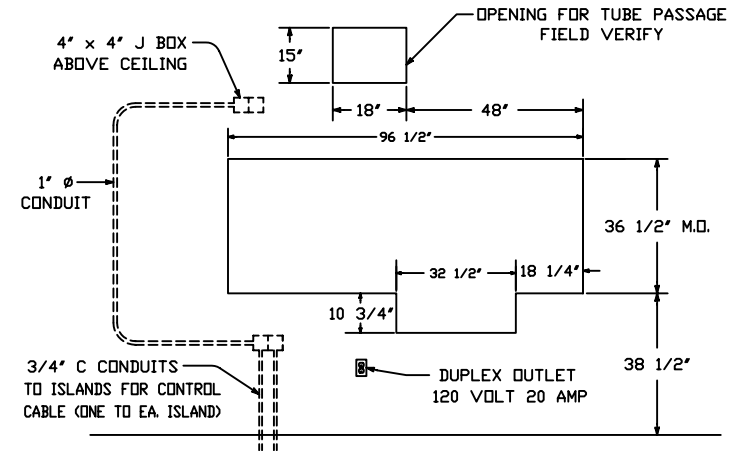
**ELECTRICAL CONTRACTOR TO PROVIDE**

- ALL CONDUIT AS DETAILED
- 20 AMP SERVICE TO TELLER AREA, AS SHOWN
- 117 VAC SERVICE, 20 AMP SERVICE TO EACH CUSTOMER UNIT (17 AMP FULL LOAD)
- CONDUIT 'C' IS FOR LOW VOLTAGE CONTROL CABLES INSTALLED BY TUBE SUPPLIER - ELECTRICAL CONTRACTOR TO PROVIDE PULL WIRES IN EACH CONDUIT

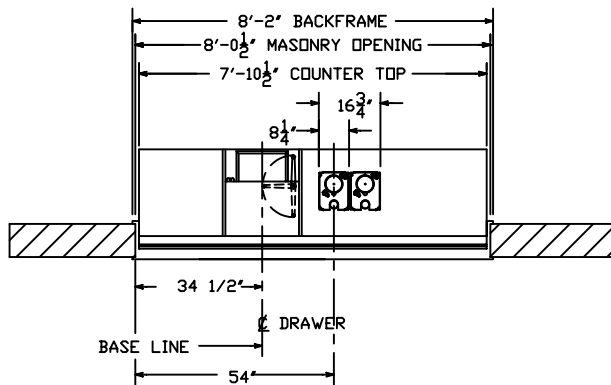


PLAN

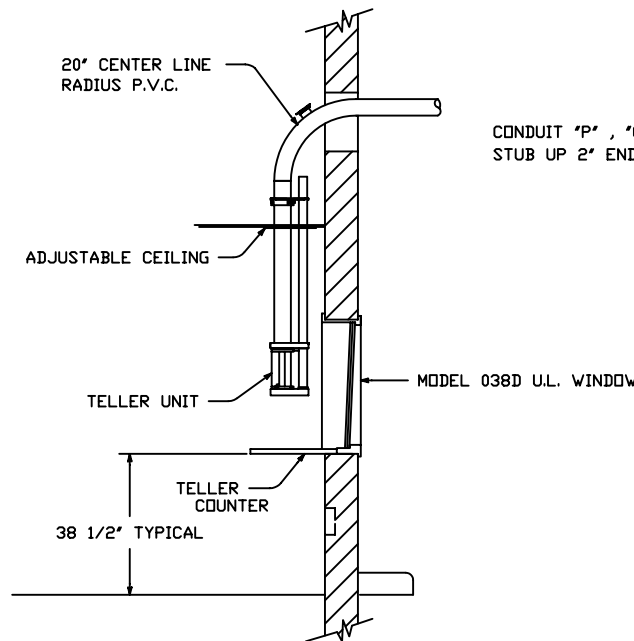
NOTE: 'P' CONDUITS TO BUILDING POWER PANEL  
'C' CONDUITS TO JUNCTION BOX BELOW COUNTER  
AND EXTEND ABOVE CEILING TO TELLER AREA.  
SEE DRAWING 99-266.



MASONRY DETAIL  
(FOR MODEL 038D U.L. WINDOW)

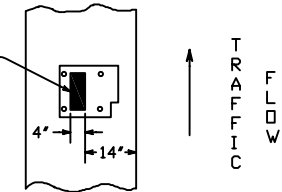


PLAN - INTERIOR



SECTION

CONDUIT 'P', 'C' & 'T'  
STUB UP 2' END CAP



ISLAND DETAIL  
(ALSO SEE DWG. 99-267)

REV.-1 DATE:	
REV.-2 DATE:	
REV.-3 DATE:	
REV.-4 DATE:	

**HAMILTON AIR**

MODEL HA-1000 - UPSEND  
212 SYSTEM with 038D  
INTERIOR DETAILS

Drawing Number : 99-1053 Date : 10/22/09

REFERENCE DRAWING NUMBER #99-265 ; 99-266