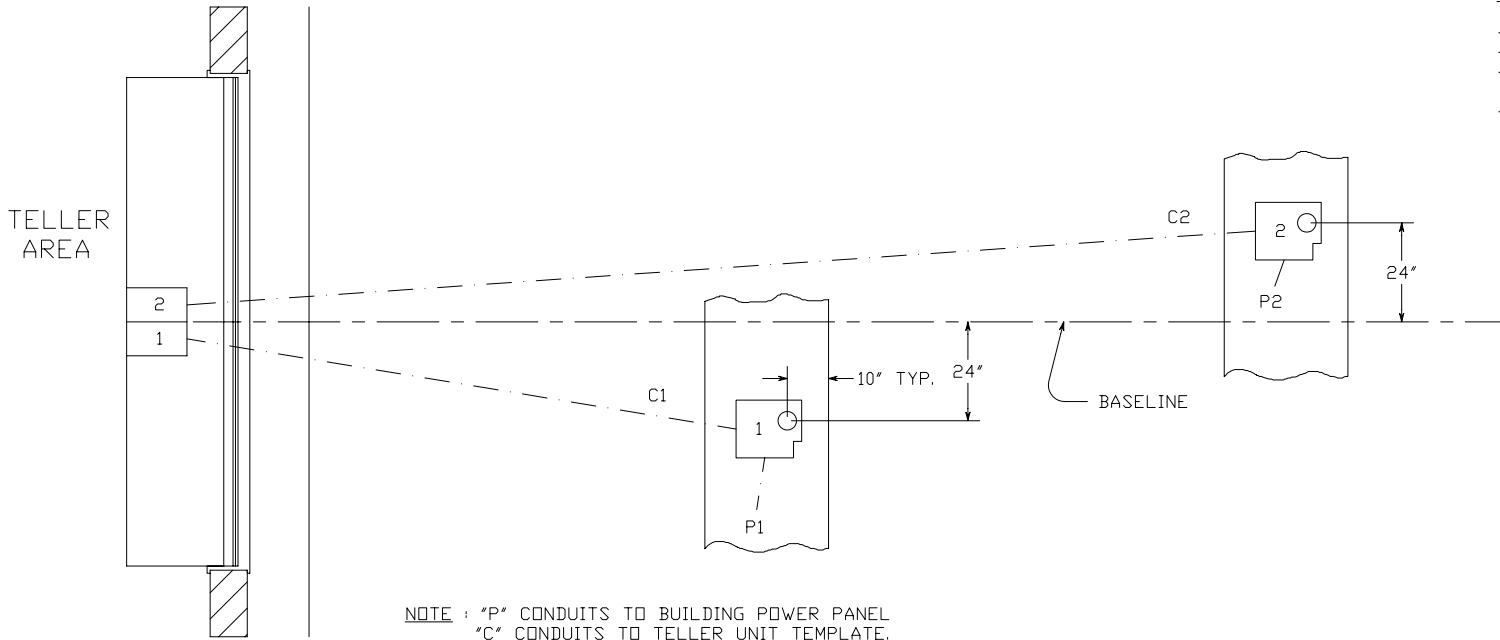


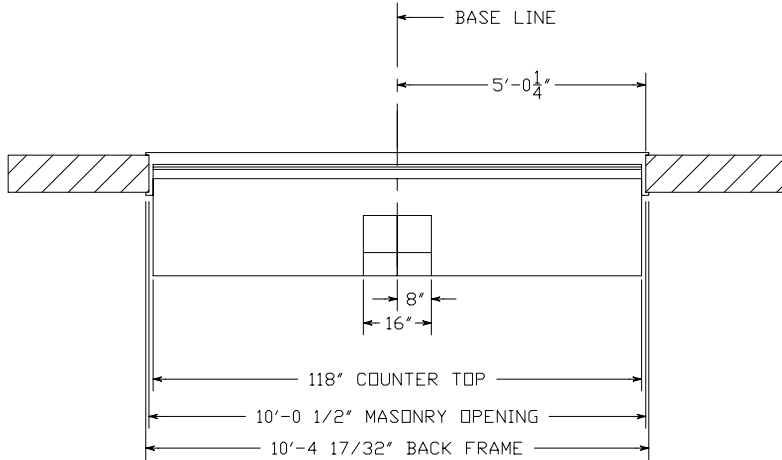
ELECTRICAL CONTRACTOR TO PROVIDE

- ALL CONDUIT AS DETAILED
- 20 AMP SERVICE TO TELLER AREA, AS SHOWN
- 117 VAC SERVICE, 30 AMP SERVICE TO EACH CUSTOMER UNIT (20 AMP FULL LOAD)
- CONDUIT "C" IS FOR LOW VOLTAGE CONTROL CABLES INSTALLED BY TUBE SUPPLIER - ELECTRICAL CONTRACTOR TO PROVIDE PULL WIRES IN EACH CONDUIT

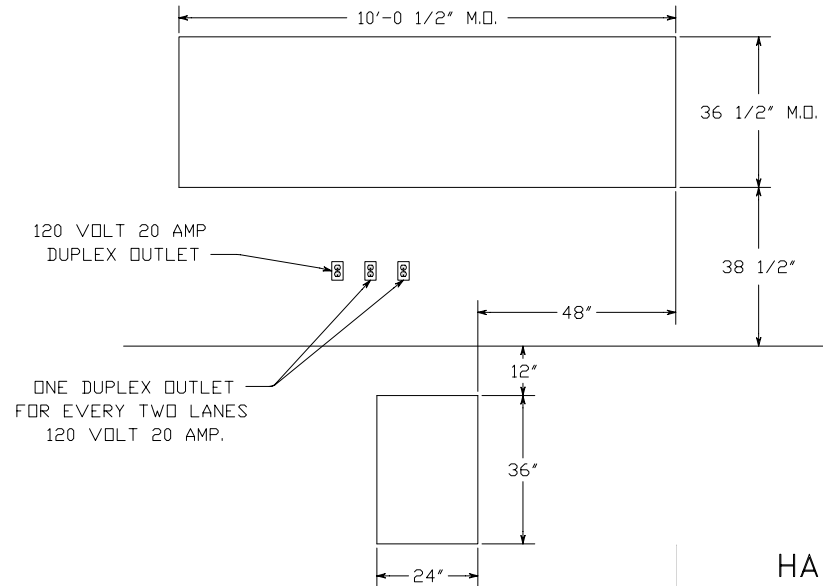


NOTE : "P" CONDUITS TO BUILDING POWER PANEL
"C" CONDUITS TO TELLER UNIT TEMPLATE.

PLAN



PLAN - INTERIOR



MASONRY DETAIL
(FOR MODEL 310V U.L. WINDOW)

HAMILTON AIR

MODEL HA-1000-D
202 SYSTEM - ATM LANE
INTERIOR DETAILS