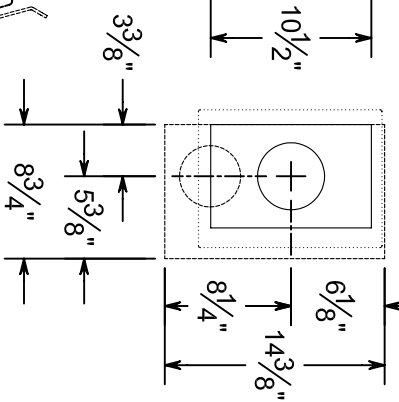
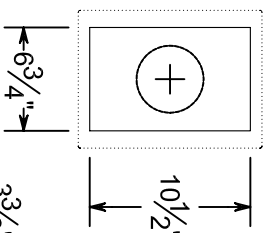
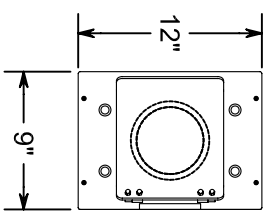
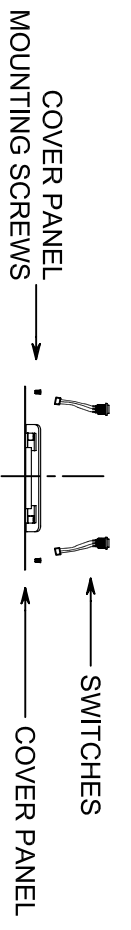
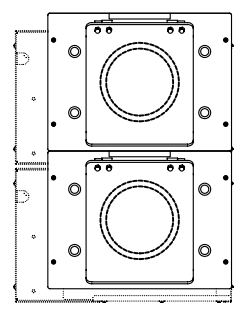
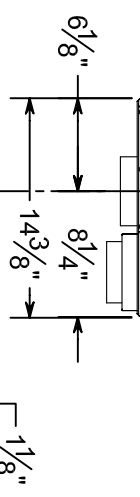
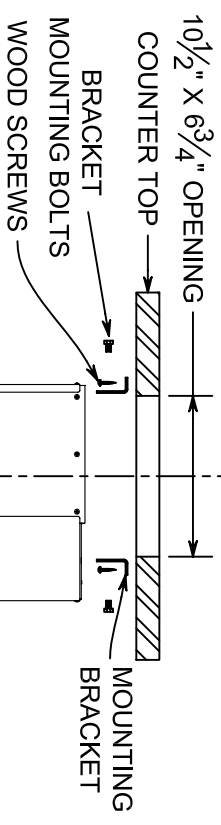


NOTE: ELECTRICAL REQUIREMENTS
 SINGLE PHASE 117V 60HZ 20A CIRCUIT.
 FOUR UNITS CAN BE POWERED BY ONE 20A CIRCUIT



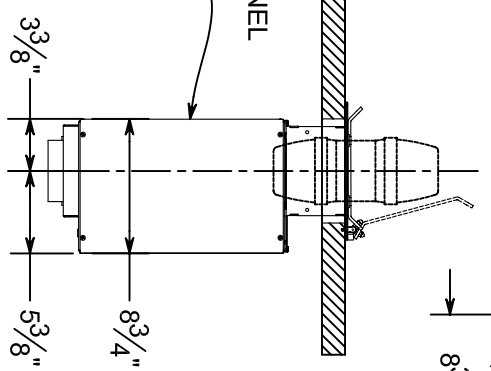
9" CENTER TO CENTER
 FOR MULTIPLE UNITS

UNIT BELOW COUNTER

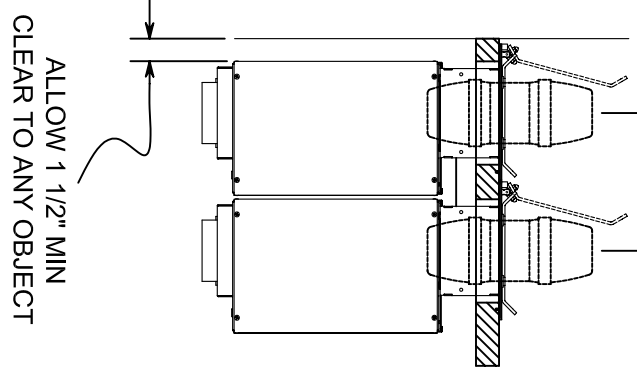


1 1/8"

SERVICE ACCESS PANEL



NOTE:
 OFFSET



40 3/4" MIN.

18 1/2"



3/4" CONDUIT TO
 CUSTOMER UNIT FOR
 LOW VOLTAGE CONTROL

4" EXHAUST
 (HOSE OPTIONAL
 NOT INCLUDED)

SINGLE PHASE 117V 60HZ

HAMILTON AIR

COUNTER TELLER UNIT
 SECOND GENERATION
 STANDARD DIMENSIONS