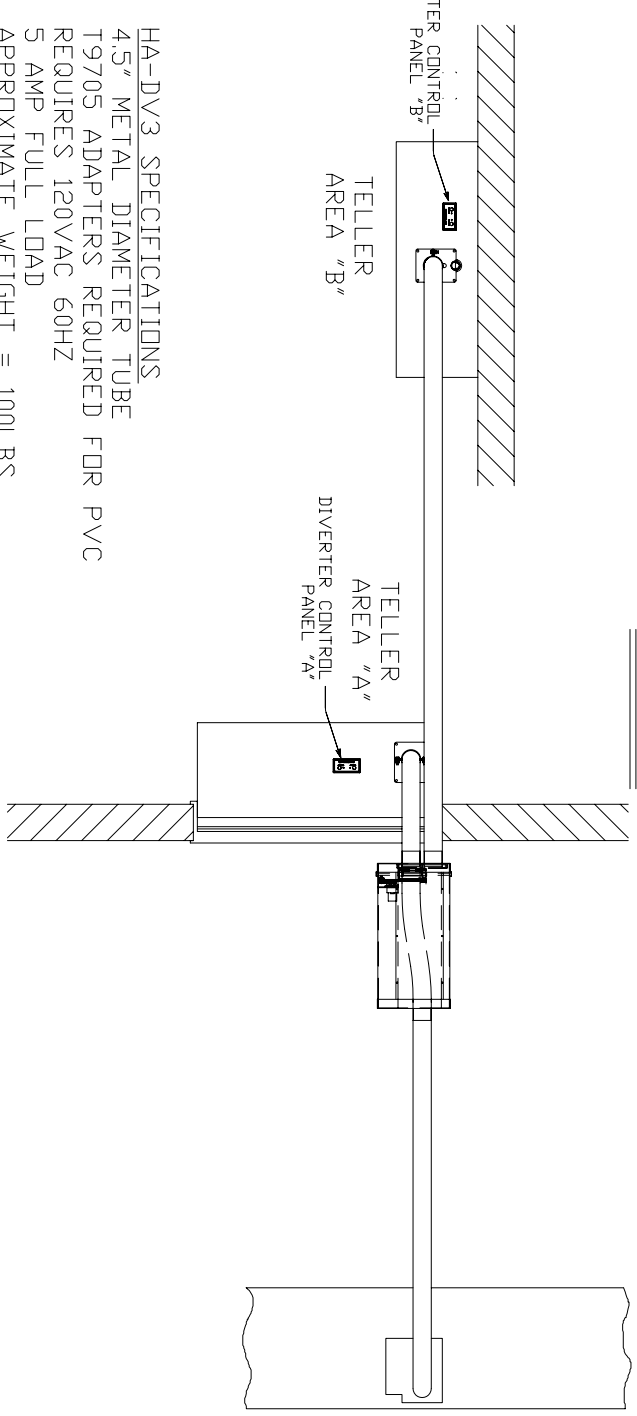


HA-DV3 WIRING REQUIREMENTS

- ALL COMPONENTS CONNECT TO DIVERTER PCB USING STANDARD CAT5 CABLE WITH MALE RJ-45 CONNECTORS ON BOTH ENDS WIRED IN A STANDARD STRAIGHT THROUGH CONFIGURATION.
- COMPONENTS INCLUDE TELLER STATIONS, TELLER DIVERTER CONTROL PANELS, AND CUSTOMER UNIT.



HA-DV3 SPECIFICATIONS
 4.5" METAL DIAMETER TUBE
 T9705 ADAPTERS REQUIRED FOR PVC
 REQUIRES 120VAC 60HZ
 5 AMP FULL LOAD
 APPROXIMATE WEIGHT = 100LBS

REV-1	DATE:
REV-2	DATE:

HAMILTON AIR

DIVERTER
 ADD-A-TELLER