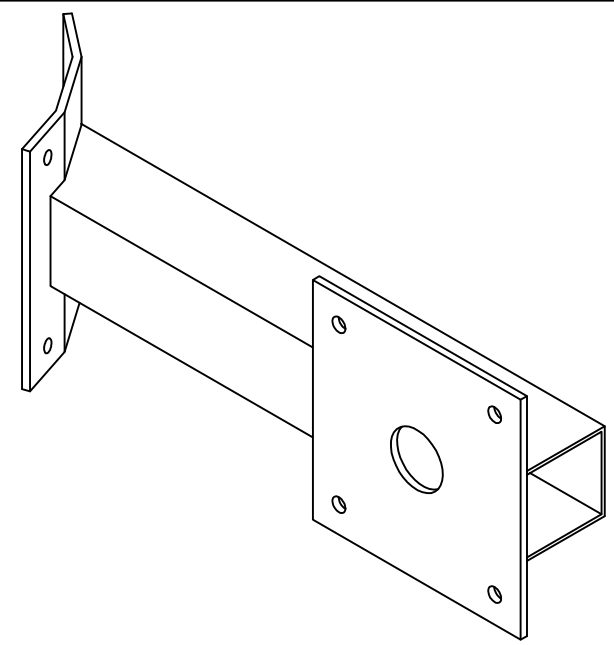
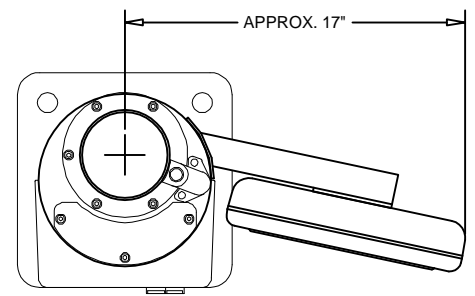


FRONT VIEW



AUXILIARY VIEW



TOP VIEW

THESE DRAWINGS ARE THE PROPERTY OF HAMILTON AIR CO. AND SHALL NOT BE REPRODUCED OR COPIED OR USED AS THE BASIS FOR MANUFACTURE OR SALE OF APPARATUS WITHOUT PERMISSION

| | | |
|--------|-------|--|
| REV.-1 | DATE: | |
| REV.-2 | DATE: | |
| REV.-3 | DATE: | |

HAMILTON AIR
5517 MOUNTING ARM
FOR DIEBOLD VAT21
PART NO. B6911