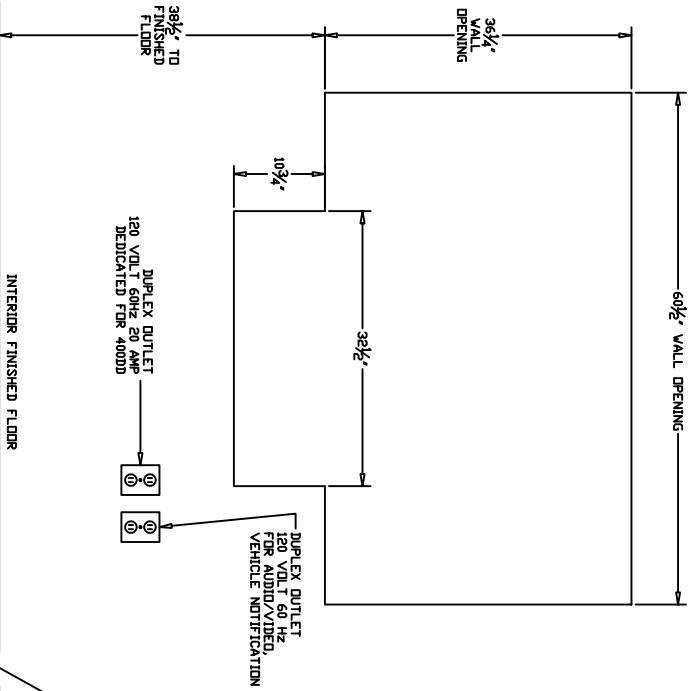
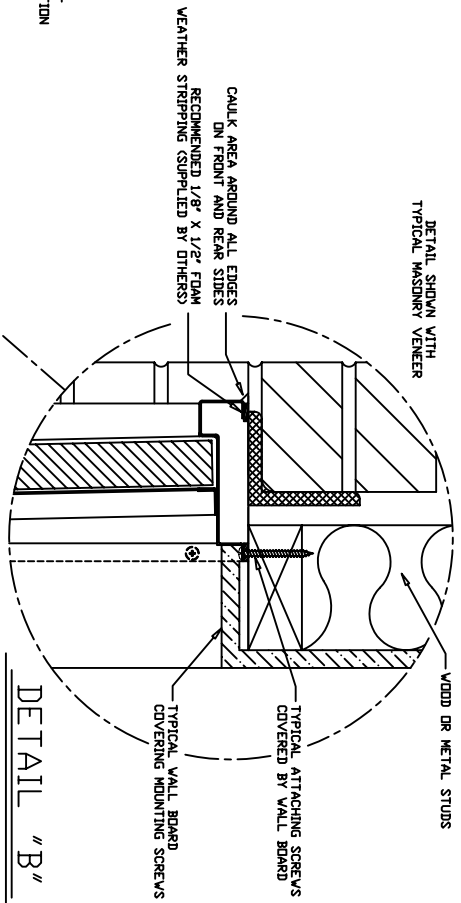


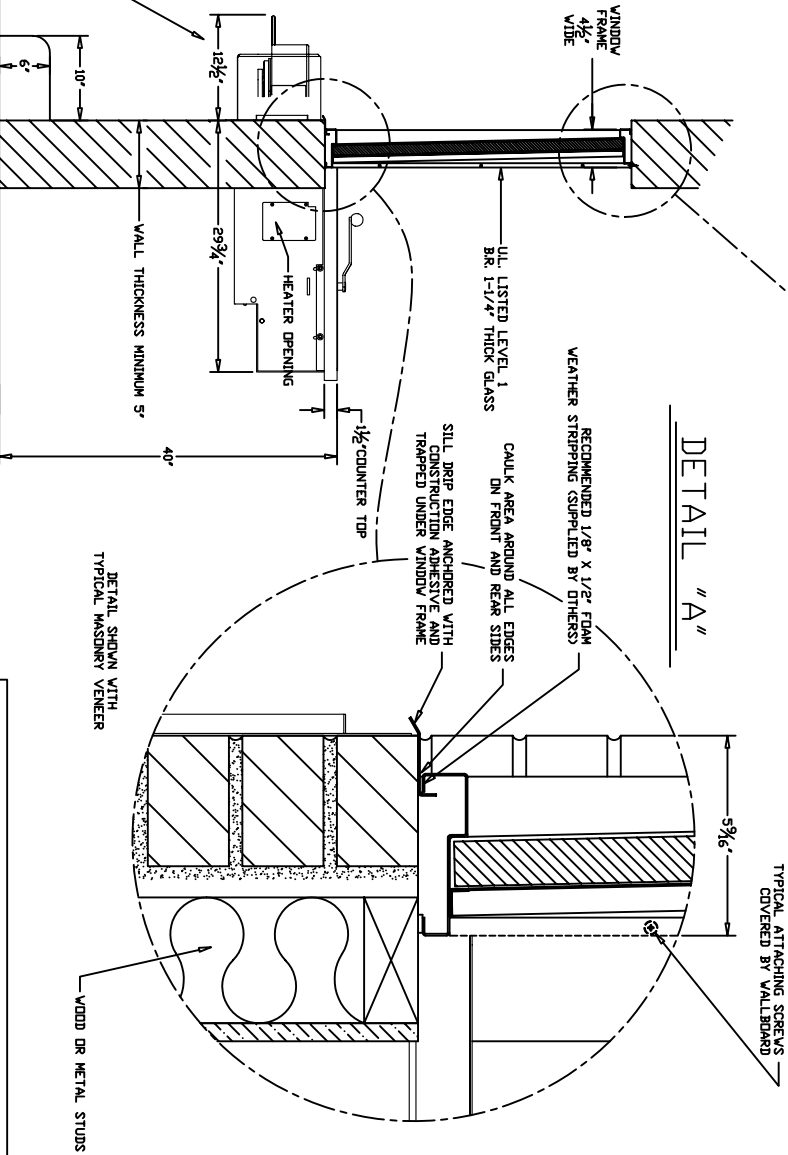
EXTERIOR ELEVATION



INTERIOR ELEVATION



DETAIL "B"



DETAIL "A"

SIDE ELEVATION

EXTENSION OF THE TRAY MUST BE ADJUSTED TO 12 1/2" MAXIMUM WITH 10" CURB.

REFER TO DRAWING 95-136 FOR FURTHER DETAILS

HAMILTON SAFE

MODEL RX-SYS04 PHARMACY
3'x5' B.R. LEVEL 1 VISION
WINDOW WITH 400DD DRAWER

DATE: AUG. 25 2009 DRAWING NUMBER: 96-364 PAGE: 1 OF 1

THESE DRAWINGS ARE THE PROPERTY OF HAMILTON SAFE CO. NO COPY OR USE OF THE DRAWING OR ANY PART THEREOF FOR MANUFACTURE OR SALE OF APPARATUS WITHOUT PERMISSION