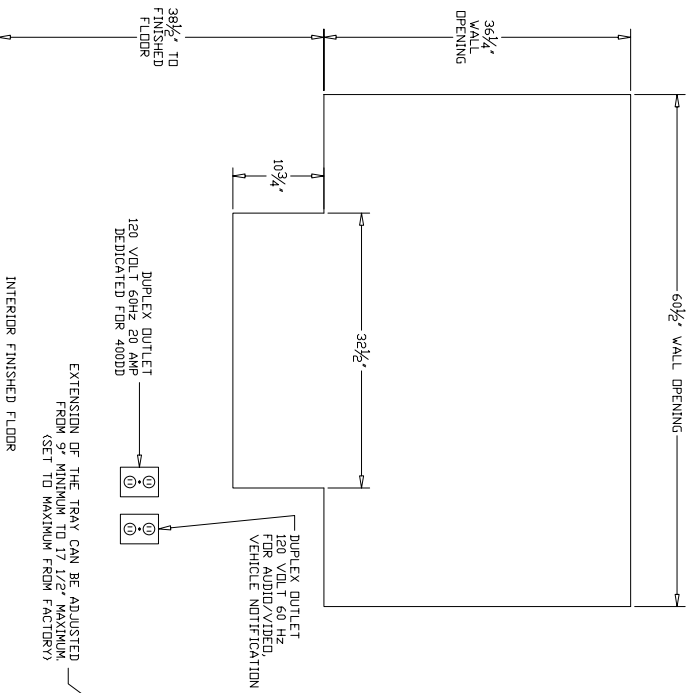
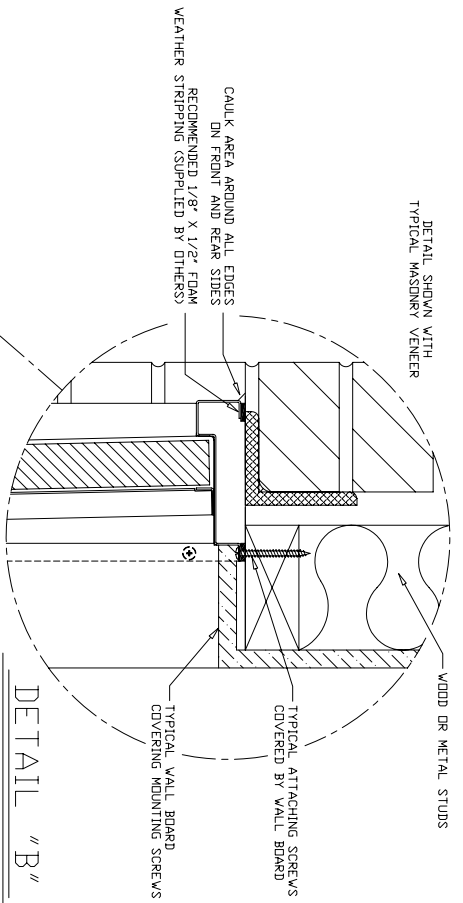


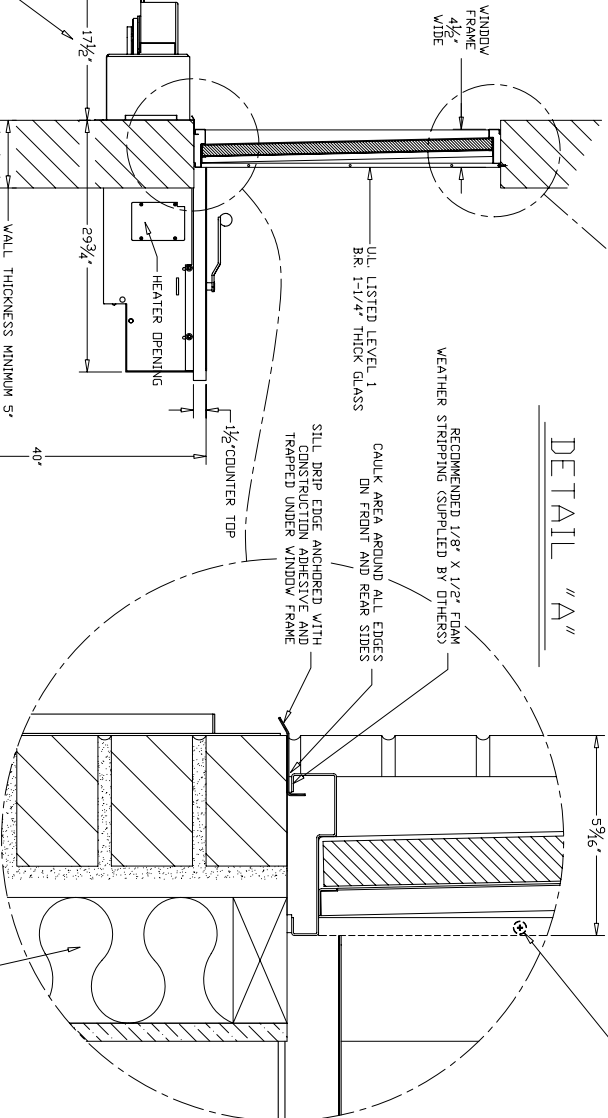
EXTERIOR ELEVATION



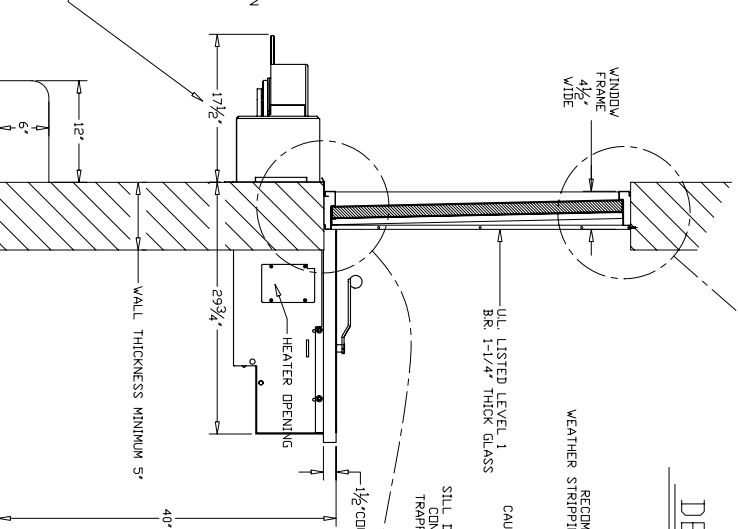
INTERIOR ELEVATION



DETAIL "A"



DETAIL "B"



SIDE ELEVATION

HAMILTON SAFE

MODEL 035CD COMMERCIAL
3'x5' B.R. LEVEL 1 VISION
WINDOW WITH 400DD DRAWER

DATE: AUG. 25 2009
DRAWING NUMBER: 96-260
PAGE: 1 OF 1

THESE DRAWINGS ARE THE
PROPERTY OF HAMILTON SAFE CO.
NO COPIES OR REPRODUCTIONS
FOR MANUFACTURE OR SALE OF
APARTS WITHOUT PERMISSION

REFER TO DRAWING 95-136
FOR FURTHER DETAILS

EXTENSION OF THE TRAY CAN BE ADJUSTED
FROM 9" MINIMUM TO 17 1/2" MAXIMUM
(SET TO MAXIMUM FROM FACTORY)

DUPEX OUTLET
120 VOLT 60 HZ
FOR AUDIO/VIDEO
VEHICLE NOTIFICATION

DUPEX OUTLET
120 VOLT 60 HZ
DEDICATED FOR 400DD

36 1/4"
WALL
OPENING

38 1/2"
TO
FINISHED
FLOOR

60 1/2" WALL OPENING

33 7/8"

10 3/4"

WINDOW
FRAME
4 1/2"
WIDE

UL LISTED LEVEL 1
OR 1 1/4" THICK GLASS

WEATHER STRIPPING (SUPPLIED BY OTHERS)

CAULK AREA AROUND ALL EDGES
ON FRONT AND REAR SIDES
SILL DRIP EDGE ANCHORED WITH
CONSTRUCTION ADHESIVE AND
TRAPPED UNDER WINDOW FRAME

1 1/2" COUNTER TOP

DETAIL SHOWN WITH
TYPICAL MASONRY VENEER

DETAIL SHOWN WITH
TYPICAL MASONRY VENEER

DETAIL SHOWN WITH
TYPICAL MASONRY VENEER

CAULK AREA AROUND ALL EDGES
ON FRONT AND REAR SIDES
RECOMMENDED 1/8" X 1/2" FOAM
WEATHER STRIPPING (SUPPLIED BY OTHERS)

WOOD OR METAL STUDS

TYPICAL ATTACHING SCREWS
COVERED BY WALL BOARD

TYPICAL WALL BOARD
COVERING MOUNTING SCREWS

TYPICAL ATTACHING SCREWS
COVERED BY WALL BOARD

5 9/16"

5 9/16"

WOOD OR METAL STUDS