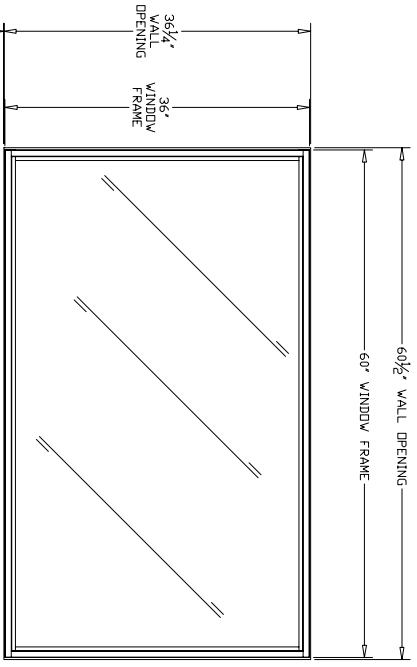


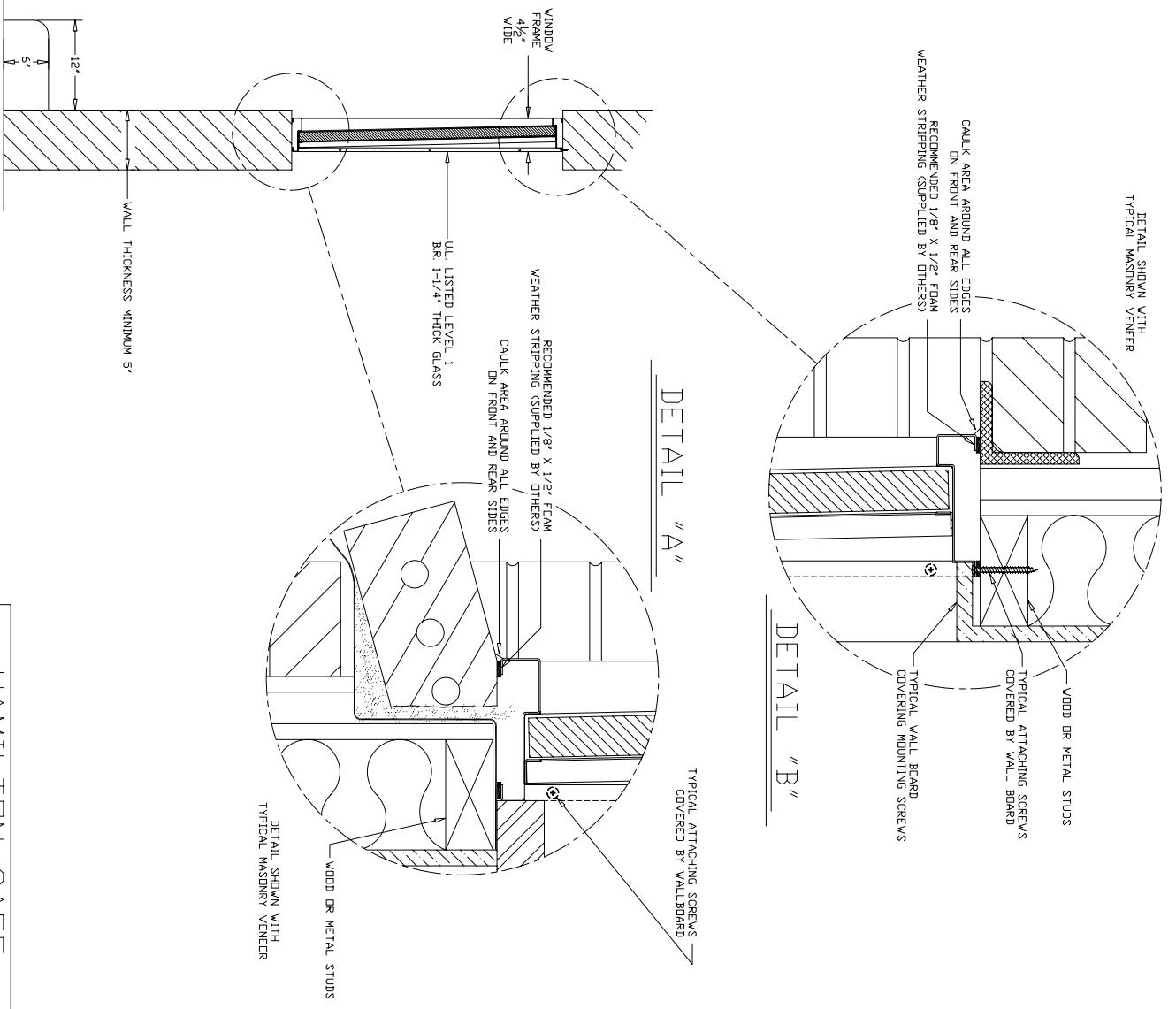
EXTERIOR ELEVATION



DUPLEX OUTLET AS REQUIRED BY OTHERS

INTERIOR FINISHED FLOOR

INTERIOR ELEVATION



DETAIL "A"

DETAIL "B"

SIDE ELEVATION

HAMILTON SAFE

MODEL 035CV COMMERCIAL
3'x5' B.R. LEVEL 1
VISION WINDOW

THESE DRAWINGS ARE THE PROPERTY OF HAMILTON SAFE CO. ANY REUSE, REPRODUCTION OR COPIED OR USED AS THE BASIS FOR MANUFACTURE OR SALE OF APPARATUS WITHOUT PERMISSION