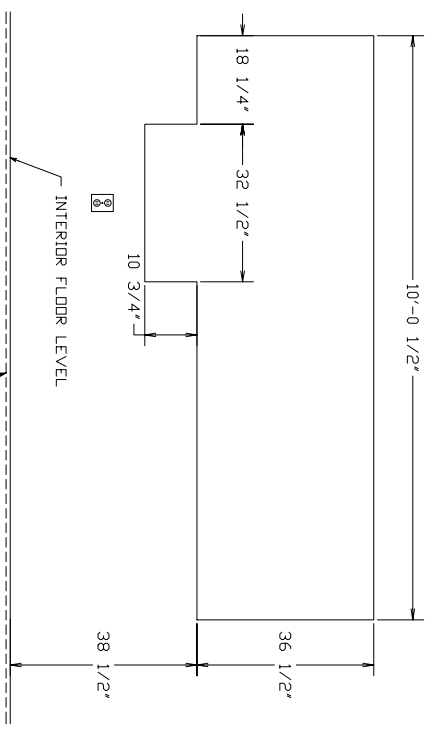
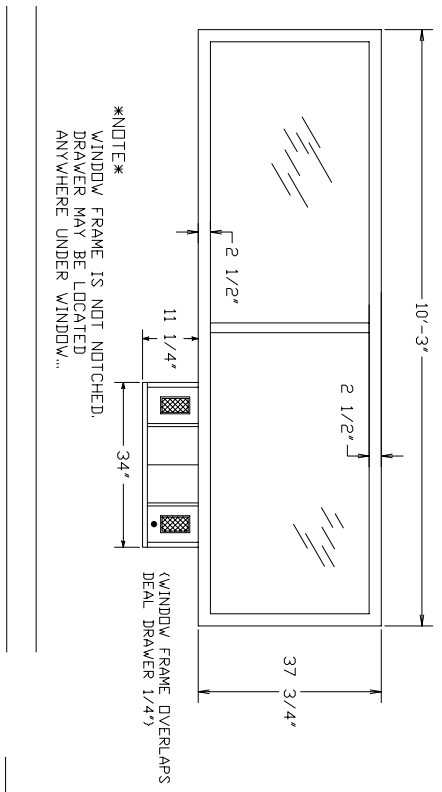


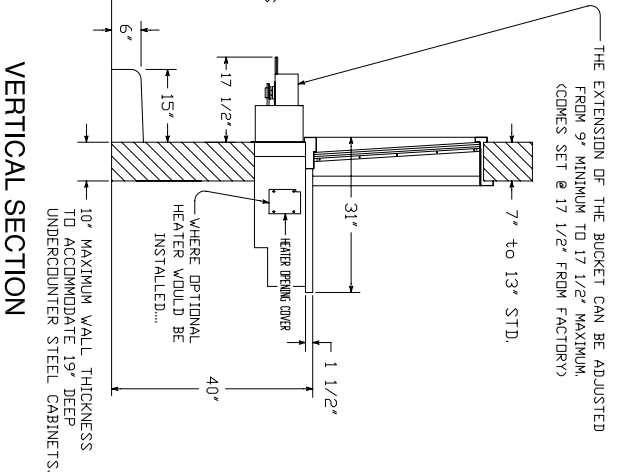
Rev - 1	
Rev - 2	



MASONRY OPENING - INTERIOR DETAIL

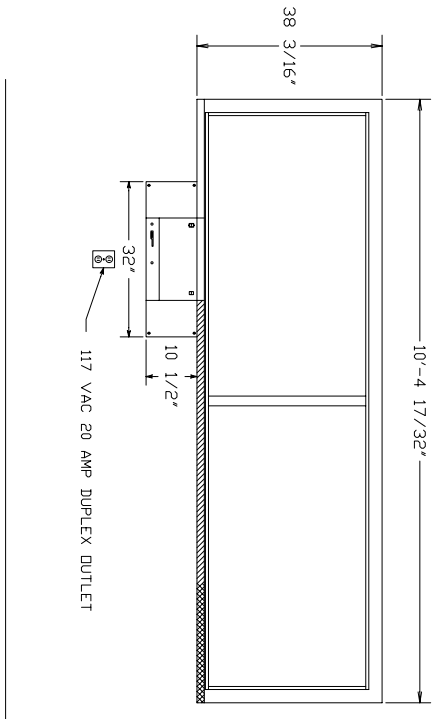


EXTERIOR ELEVATION



VERTICAL SECTION

POWER REQUIREMENTS
 117 VAC 60 HZ
 18 AMP WITH HEATER OPTION
 4 AMP WITHOUT HEATER OPTION



INTERIOR ELEVATION

HAMILTON SAFE

310D U.L. WINDOW WITH 400DD DRAWER LOCATED ON RIGHT SIDE OF WINDOW LOOKING AT EXTERIOR ELEVATION