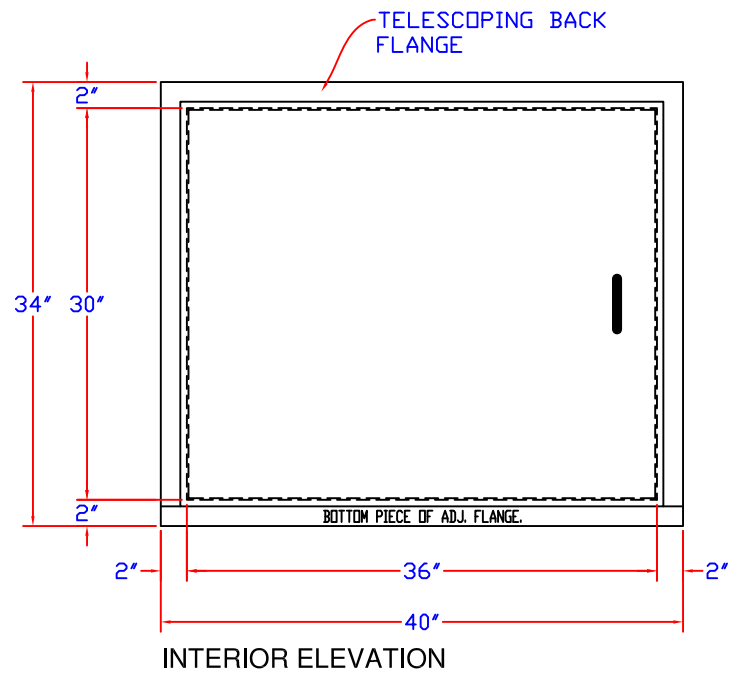
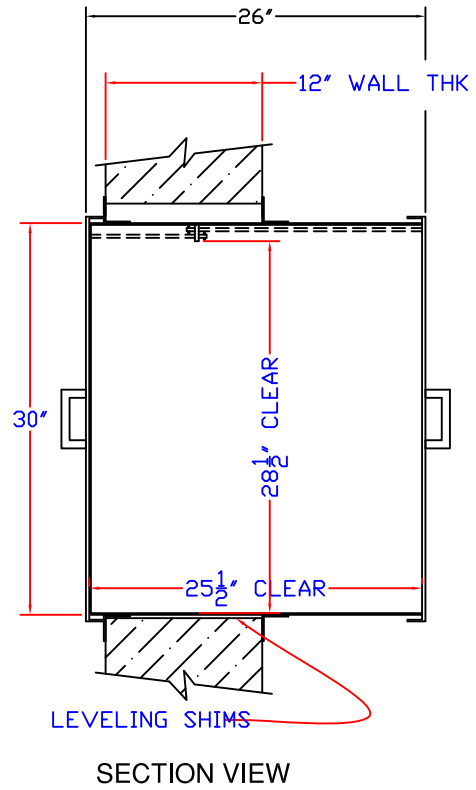
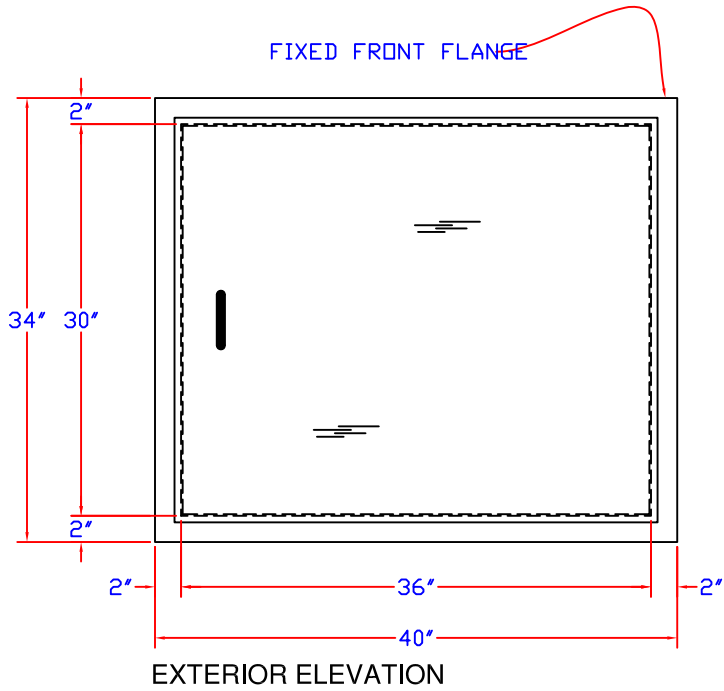
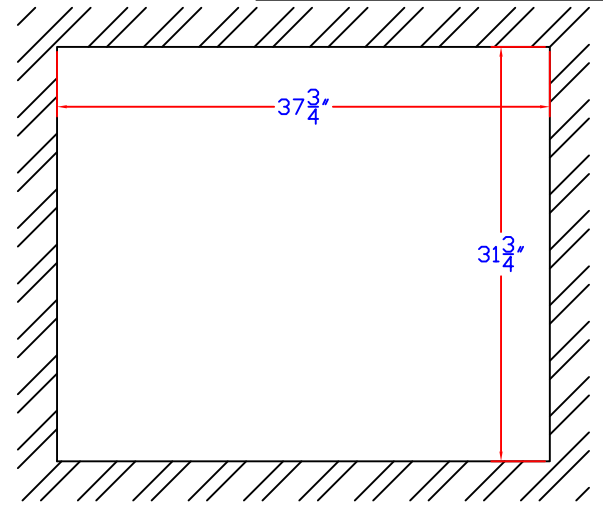
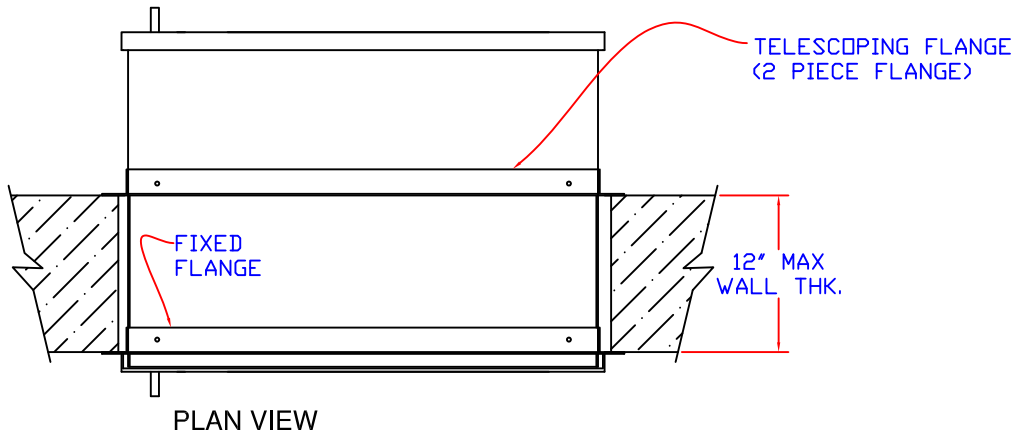


Rev - 1	
Rev - 2	



HAMILTON SAFE
 PACKAGE RECEIVER
 MODEL PRS-3
 34"H x 40"W x 26"L CLEAR OPENING

Drawing Number : 96-194 Date : 8/11/08