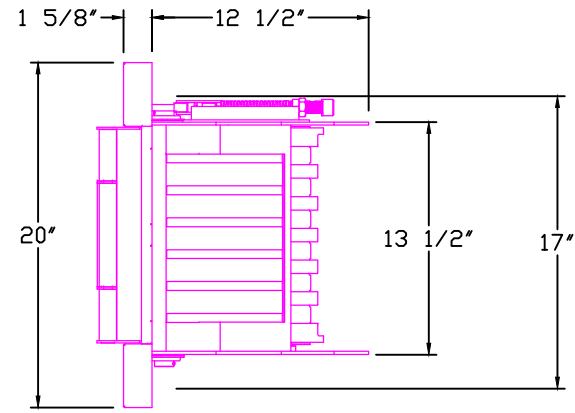
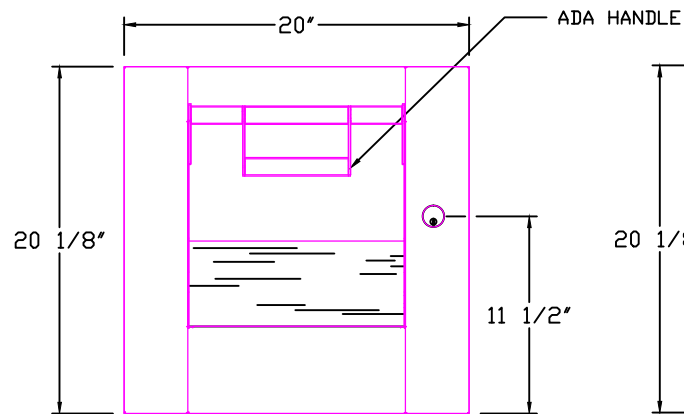


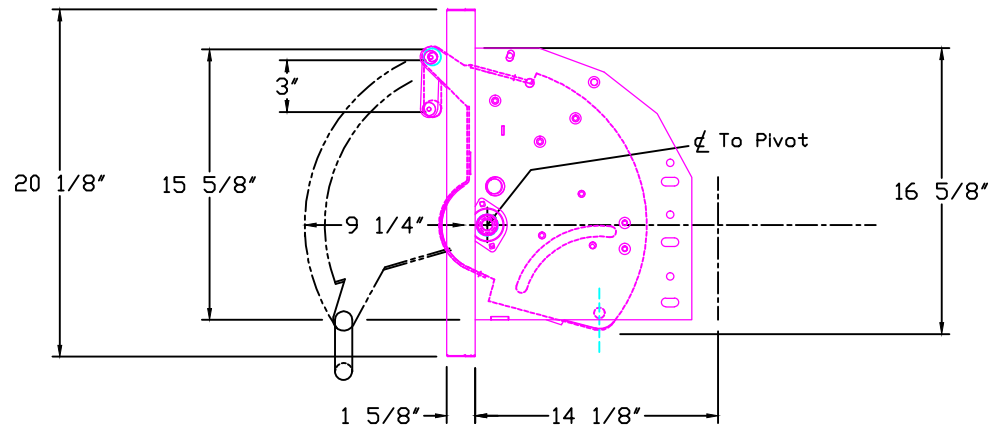
MIN. WALL OPENING



PLAN



FRONT ELEVATION



MIN. SECTION

HAMILTON SAFE	
REPLACEMENT NIGHT DEPOSITORY DETAILS MODEL 98RH W/TRIM REMOVED	
Drawing Number :95-975	Date :6-13-05