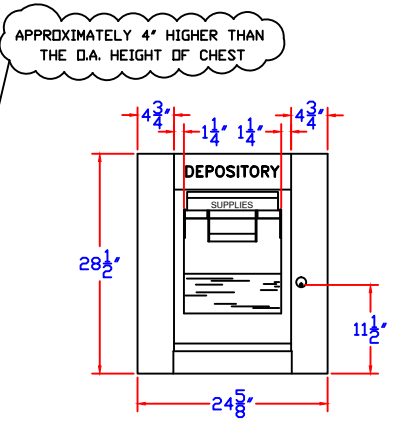
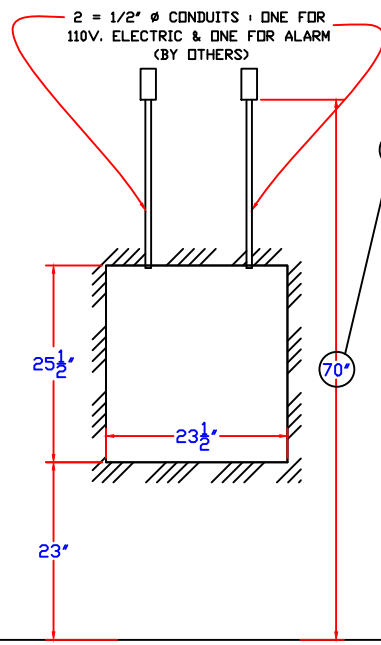
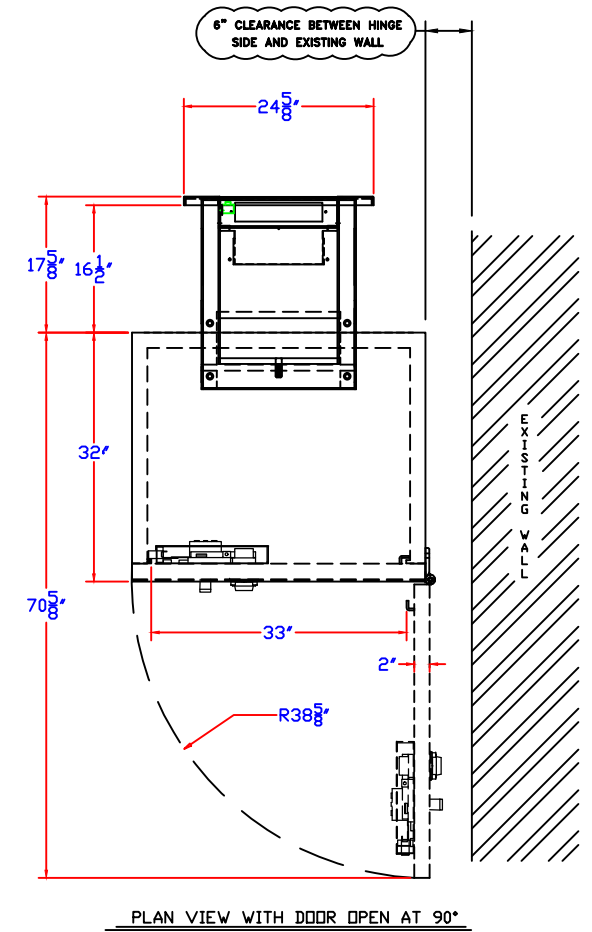
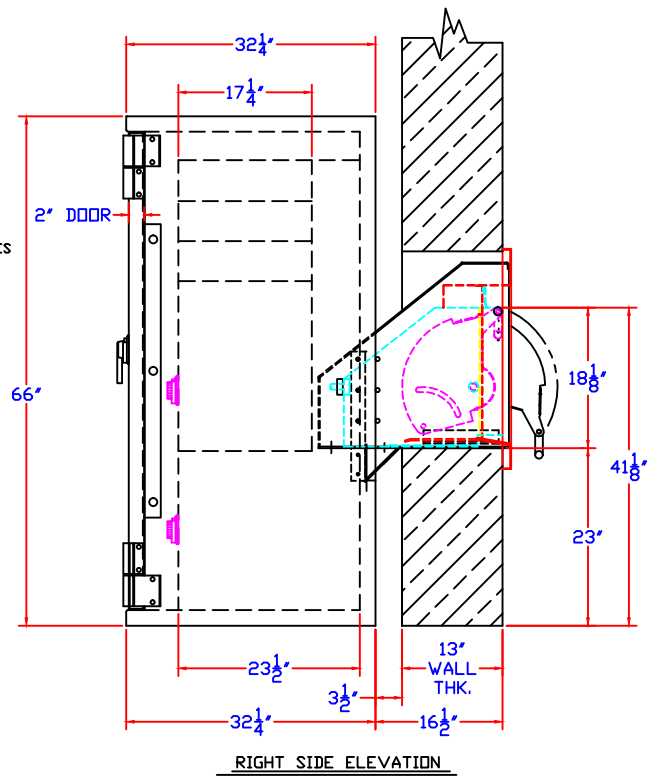
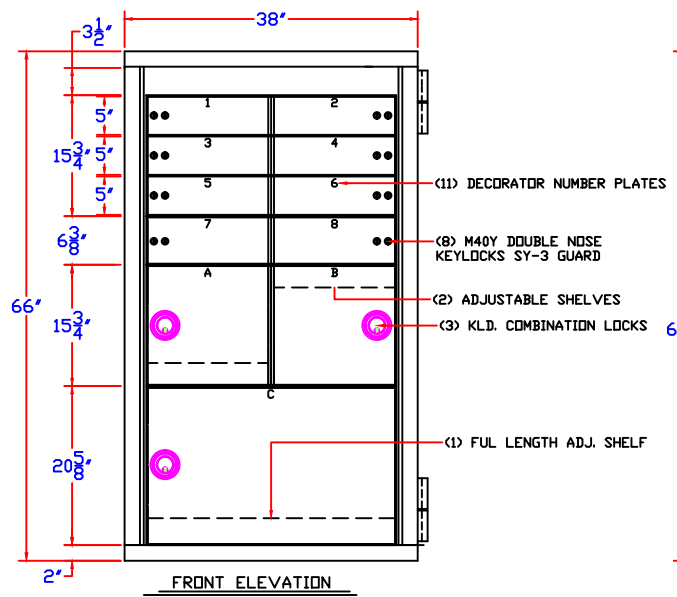


Rev - 1	12-24-08 UPDATED DRAWING
Rev - 2	6/1/12 UPDATE 2" COMP



TELLER RECEIVER WITH INTERIOR
DRAWING NUMBER: 95-962
DEPOSITORY HEAD:
1 = 80UC UL LISTED NIGHT DEPOSITORY HEAD
1 = STANDARD HOUSING
COMPOSITE CHEST - 66"H x 38"W x 32 1/4"D;
TL-15; RIGHT SWING
ALARM:
1 = HEAT SENSOR AND DOOR CONTACT
1 = ALARM HOLE
INTERIOR:
6=5"x16" TELLER LOCKERS
DOUBLE NOSE SAFE DEPOSIT LOCKS
2=6"x 16" ATM CASSETTE LOCKERS
DOUBLE NOSE SAFE DEPOSIT LOCKS
2=15"x16" TELLER STORAGE LOCKERS
EACH WITH KEY LOCKING COMBINATION LOCK
EACH WITH ADJUSTABLE SHELF
1-20"x33" DEPOSIT RECEIVING LOCKER
WITH KEY LOCKING COMBINATION LOCK
WITH FULL WIDTH ADJUSTABLE SHELF
COLOR:
CHARCOAL GRAY

ESTIMATED WEIGHT = 3,875 lbs

HAMILTON SAFE	
TL-15 COMPOSITE TELLER RECEIVER	
66"H x 38"W x 32 1/4"D	
RIGHT SWING - U.L. LISTED	
Drawing Number : 95-962	Date : 12-24-08