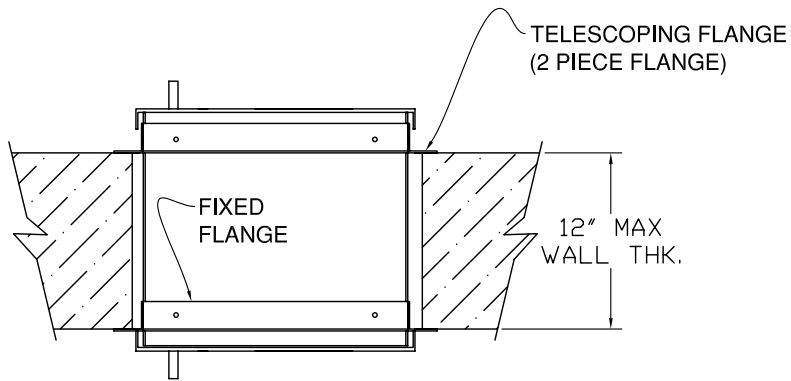
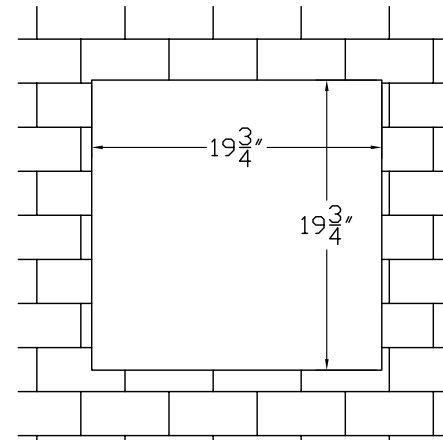


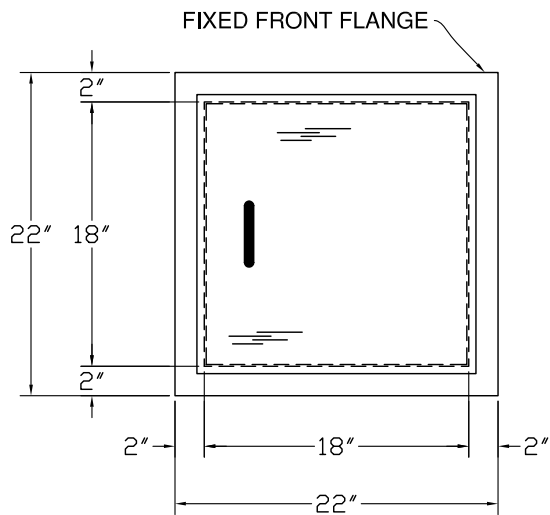
Rev - 1	
Rev - 2	



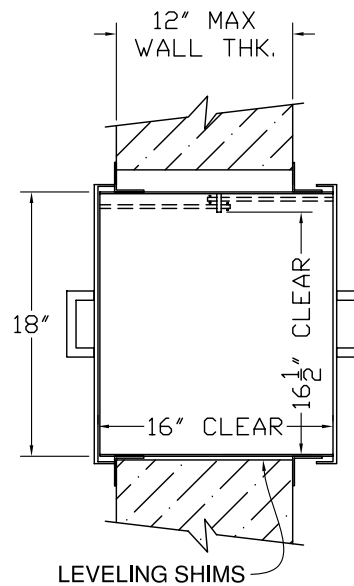
PLAN VIEW



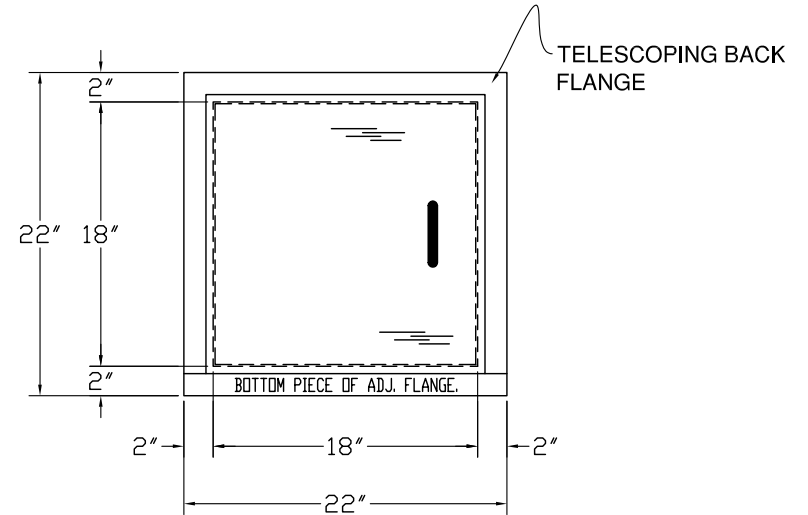
MASONRY OPENING



EXTERIOR ELEVATION



SECTION VIEW



INTERIOR ELEVATION

HAMILTON SAFE	
PACKAGE RECEIVER MODEL PRS-2 18"H x 18"W x 16"L CLEAR OPENING	
Drawing Number : 95-869	Date : 5/6/02