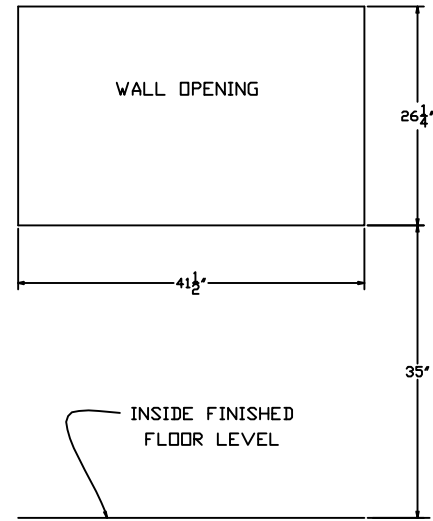
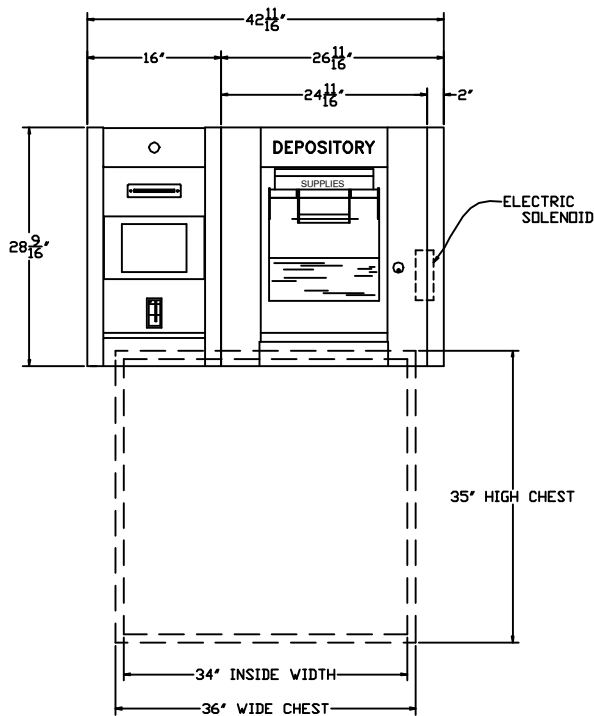


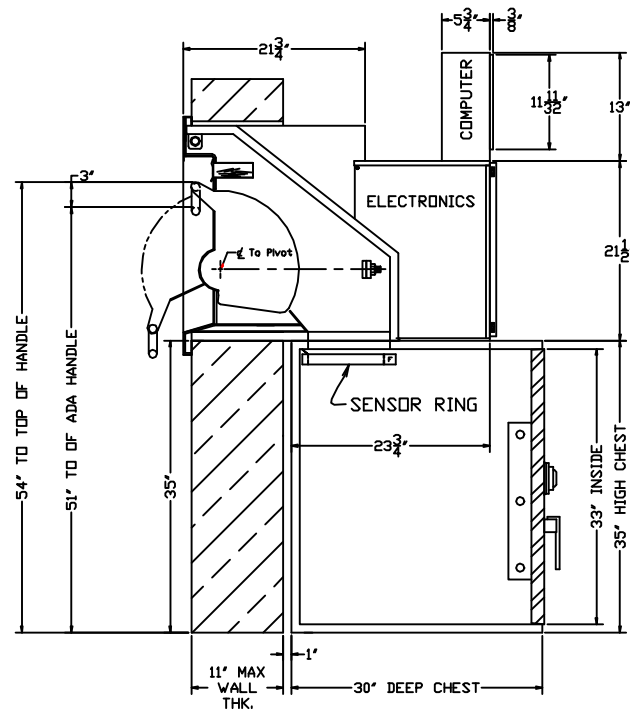
PLAN



MASONRY DETAIL  
(AS VIEWED FROM INSIDE)



EXTERIOR ELEVATION



SECTION

REV.-1 | DATE: 1/25/01 | CHGD ELECTRONIC HOUSING SIZE.

**HAMILTON SAFE**

REAR LOAD STAND ALONE DACS  
WITH 36"W RIGHT SWING CHEST  
MODEL : RL-NTDAC36W STAND ALONE

Drawing Number : 95-773 | Date : 6-21-00