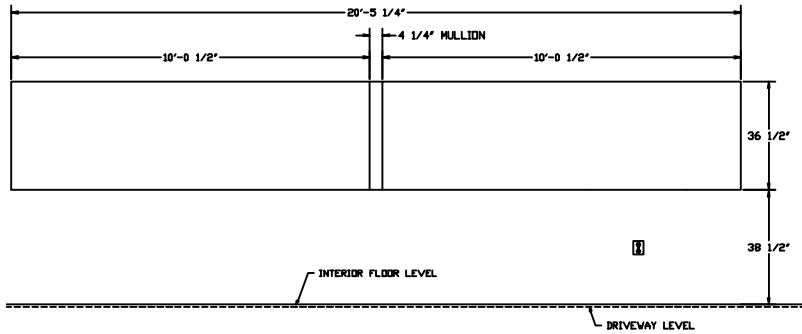
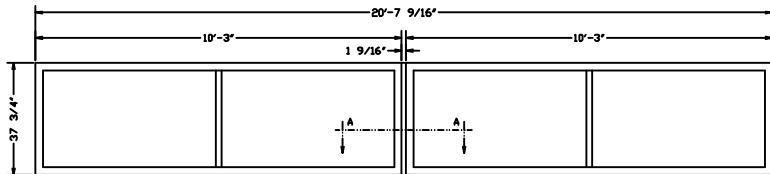
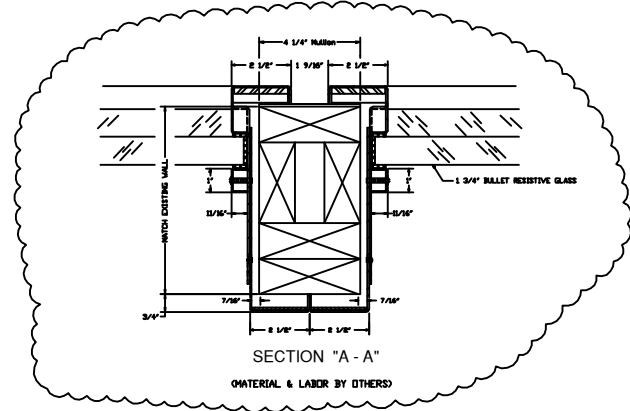


Rev - 1	
Rev - 2	

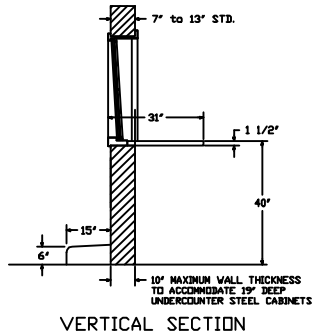


MASONRY OPENING - INTERIOR DETAIL

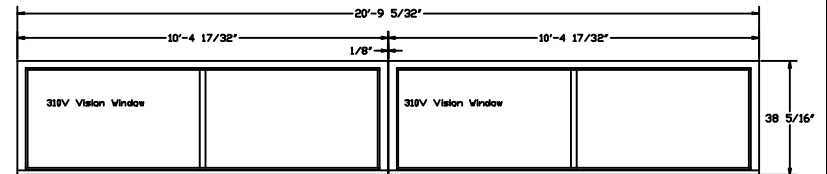


NOTE:
WINDOW FRAME IF NOT NOTCHED,
DRAWER MAY BE LOCATED
ANYWHERE UNDER WINDOW..

EXTERIOR ELEVATION



VERTICAL SECTION



117 VAC 20 AMP DUPLEX OUTLET

INTERIOR ELEVATION

HAMILTON SAFE	
320V WINDOW U.L. LISTED "TWO 310V WINDOWS SIDE BY SIDE"	
Drawing Number : 95-705	Date : 9-15-99