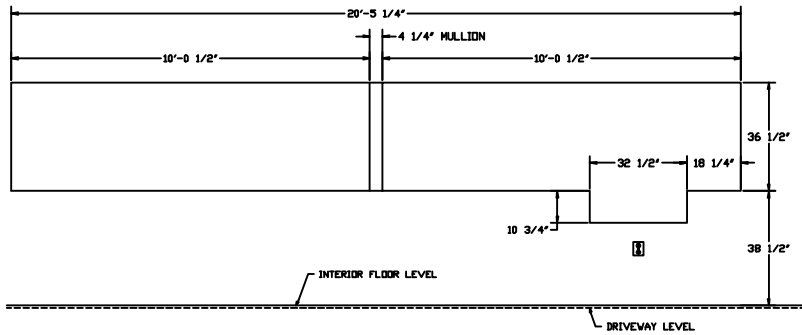
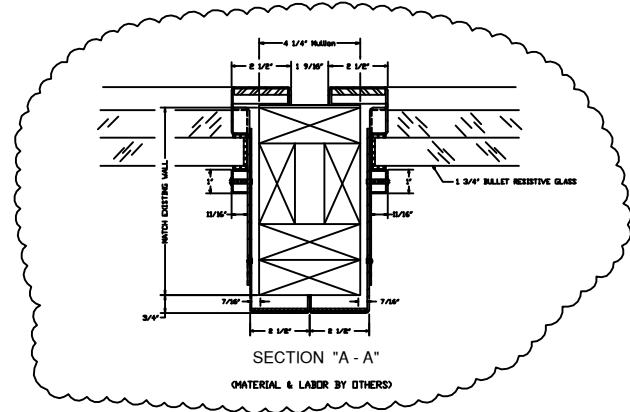


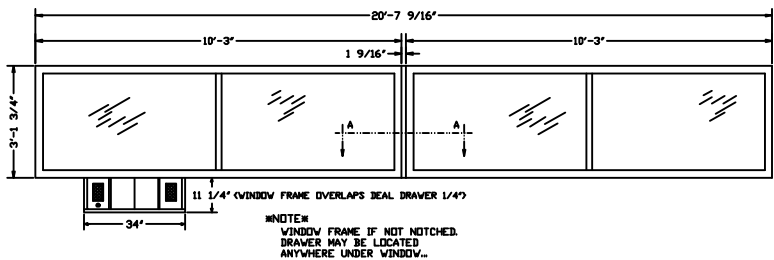
Rev - 1	
Rev - 2	



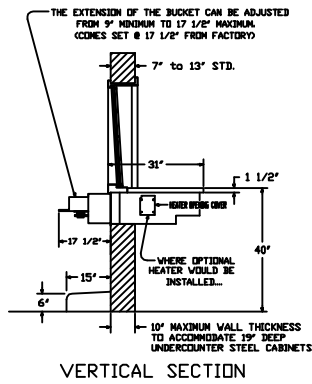
MASONRY OPENING - INTERIOR DETAIL



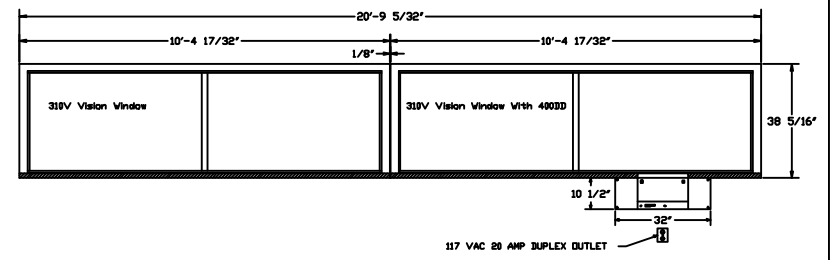
POWER REQUIREMENTS
117 VAC, 60 HZ
18 AMP WITH HEATER OPTION
4 AMP WITHOUT HEATER OPTION



EXTERIOR ELEVATION



VERTICAL SECTION



INTERIOR ELEVATION

HAMILTON SAFE	
320D WINDOW WITH 400DD DEAL DRAWER - U.L. LISTED "TWO 310V WINDOWS SIDE BY SIDE"	
Drawing Number : 95-698	Date : 5-18-99