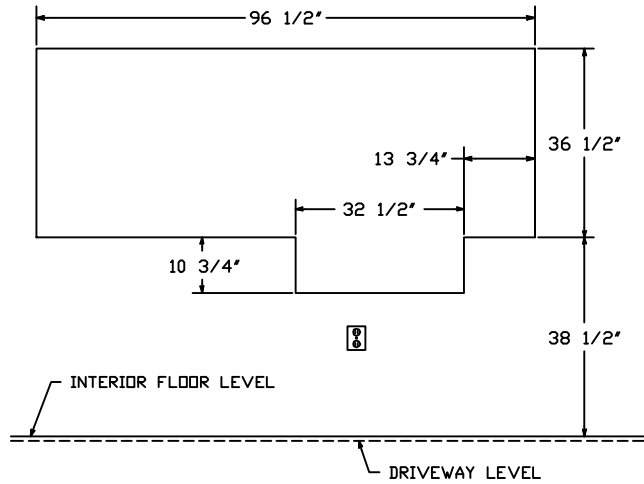
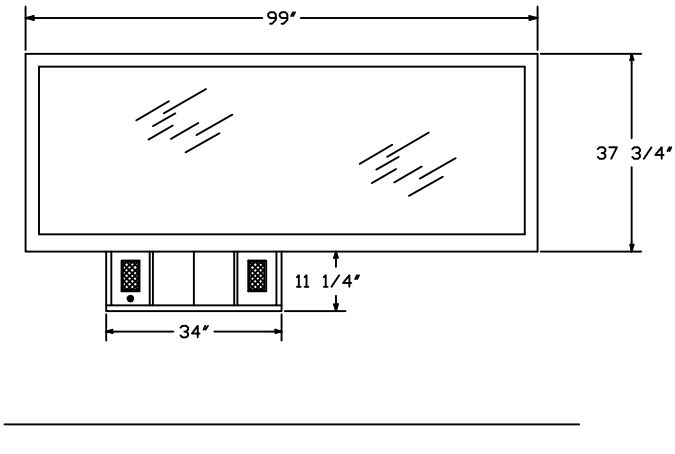


Rev - 1	
Rev - 2	

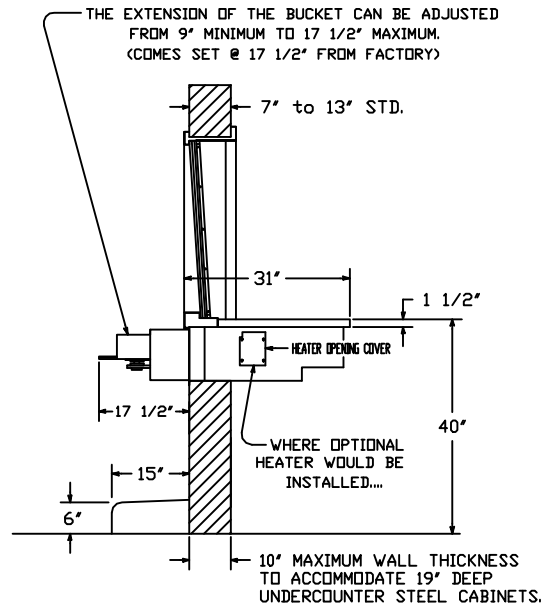


MASONRY OPENING - INTERIOR DETAIL

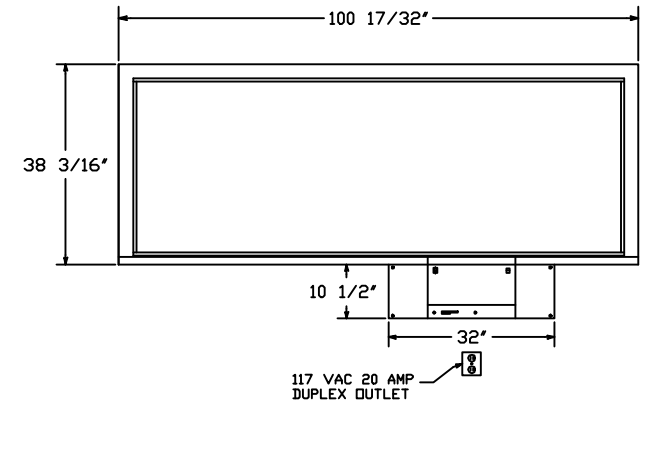
POWER REQUIREMENTS
 117 V.A.C. 60 HZ
 18 AMP WITH HEATER OPTION
 4 AMP WITHOUT HEATER OPTION



EXTERIOR ELEVATION



VERTICAL SECTION



INTERIOR ELEVATION

HAMILTON SAFE	
038D WINDOW WITH 400DD DEAL DRAWER U.L. LISTED	
Drawing Number : 95-695	Date : 5-18-99