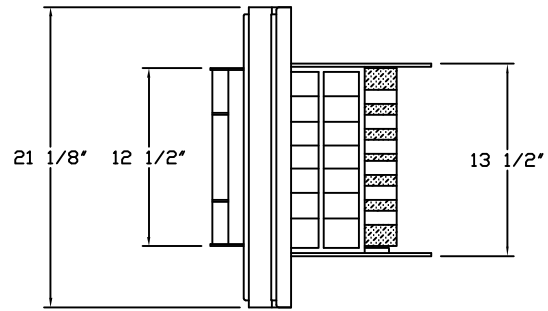
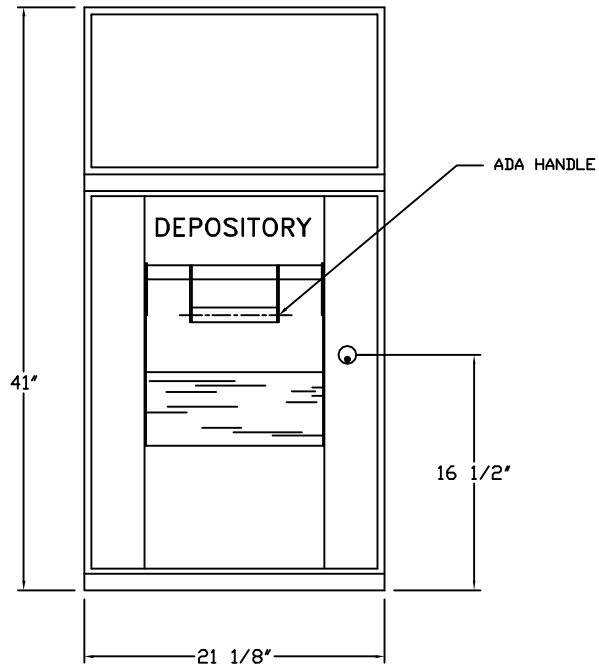


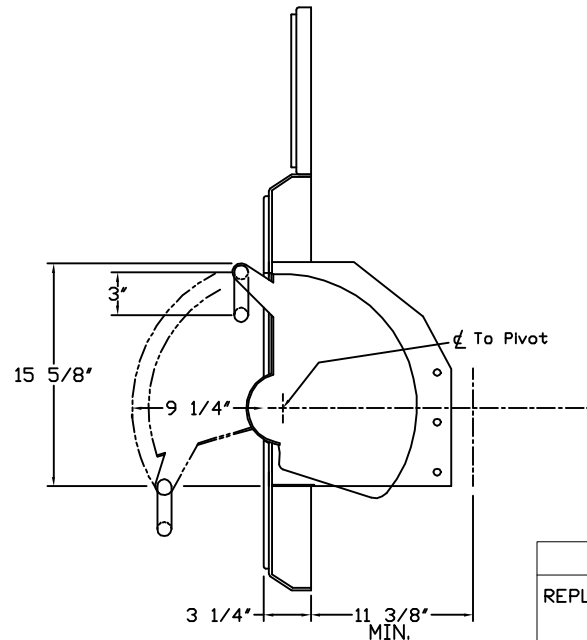
MIN. WALL OPENING



PLAN



FRONT ELEVATION



SECTION

HAMILTON SAFE	
REPLACEMENT NIGHT DEPOSITORY	
MODEL 98RH	
SHOWN WITH OPTIONAL	
B6358 (DIEBOLD POLARIS KIT)	
Drawing Number 195-640	Date 19-30-98