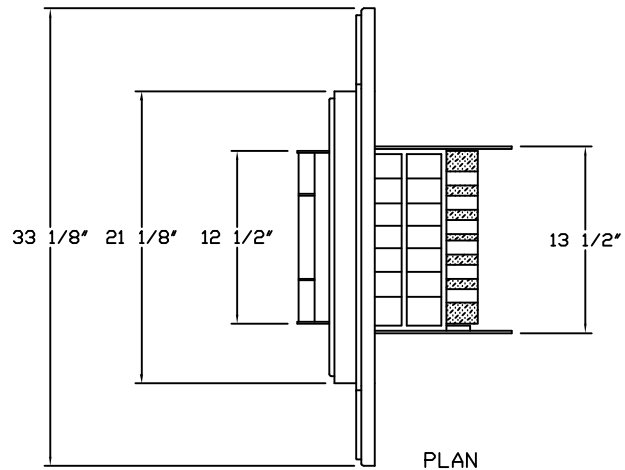
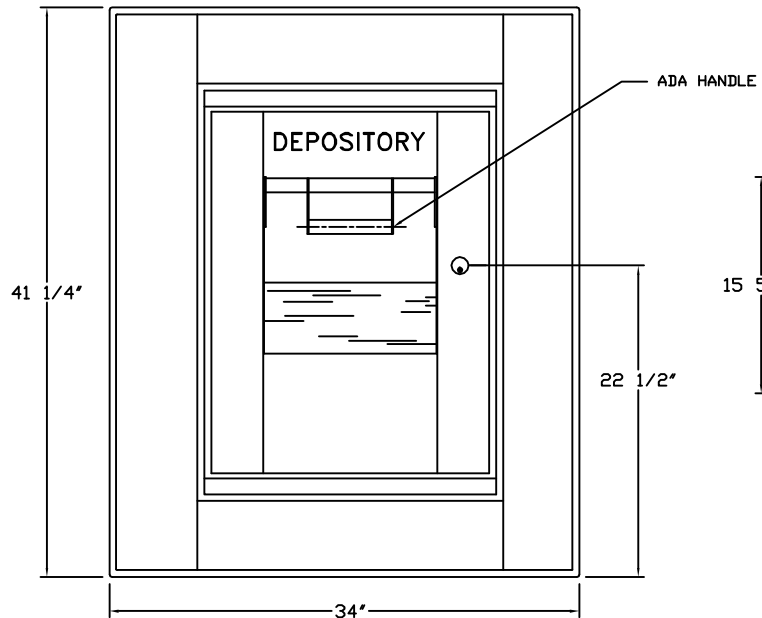


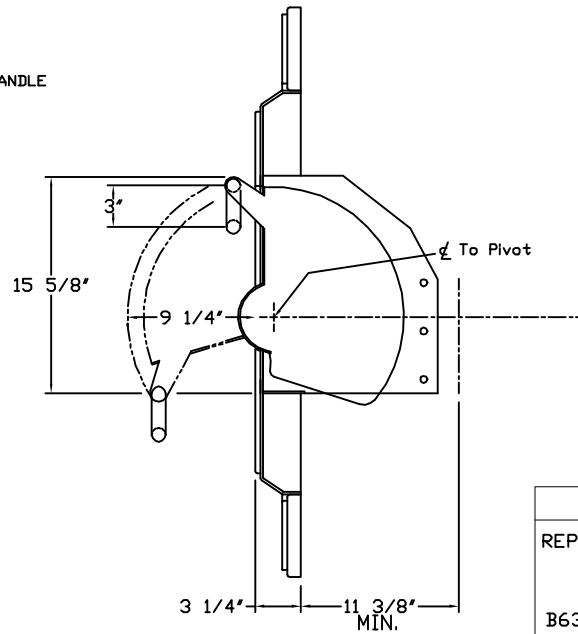
MIN. WALL OPENING



PLAN



FRONT ELEVATION



SECTION

HAMILTON SAFE	
REPLACEMENT NIGHT DEPOSITORY MODEL 98RH SHOWN WITH OPTIONAL B6307-2 (6" TRIM ALL AROUND)	
Drawing Number : 95-638	Date : 9-30-98