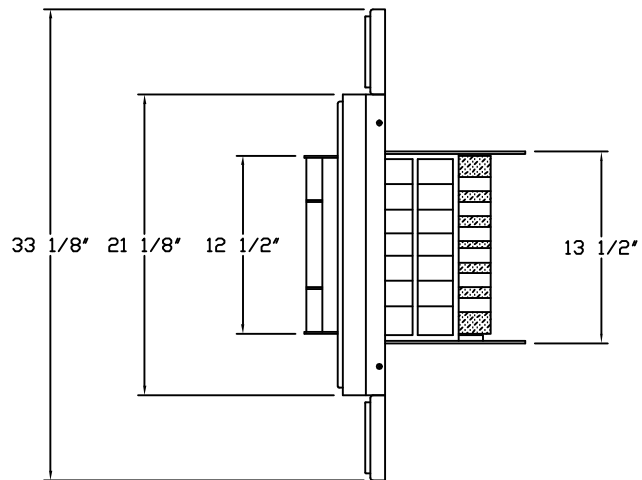
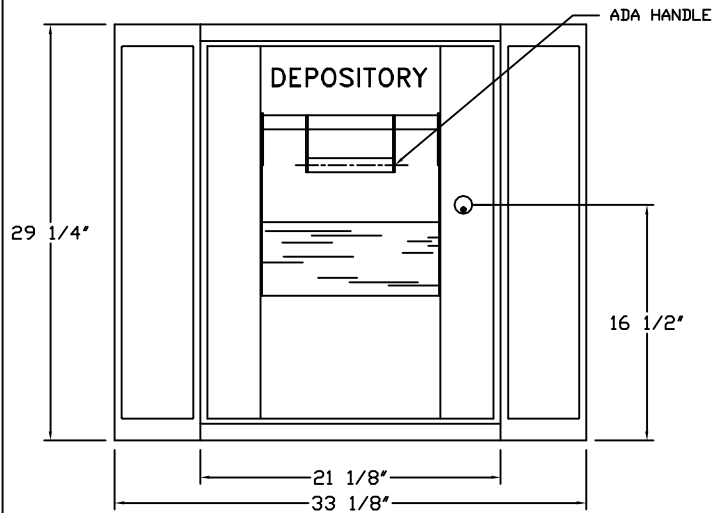


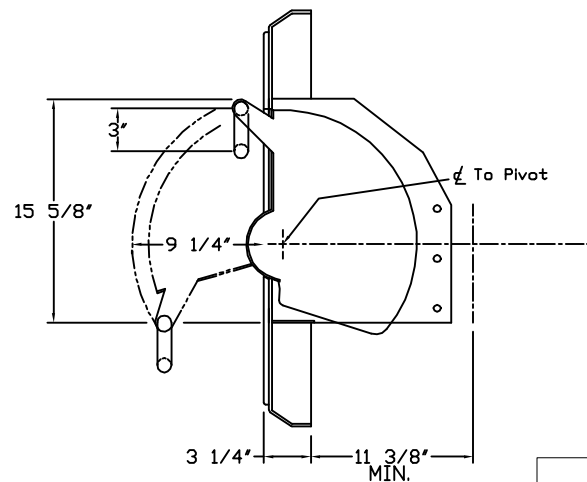
MIN. WALL OPENING



PLAN



FRONT ELEVATION



SECTION

<b>HAMILTON SAFE</b>	
REPLACEMENT NIGHT DEPOSITORY	
MODEL 98RH	
SHOWN WITH OPTIONAL	
B6307 (6" TRIM-SIDES ONLY)	
Drawing Number: 195-636	Date: 19-30-98