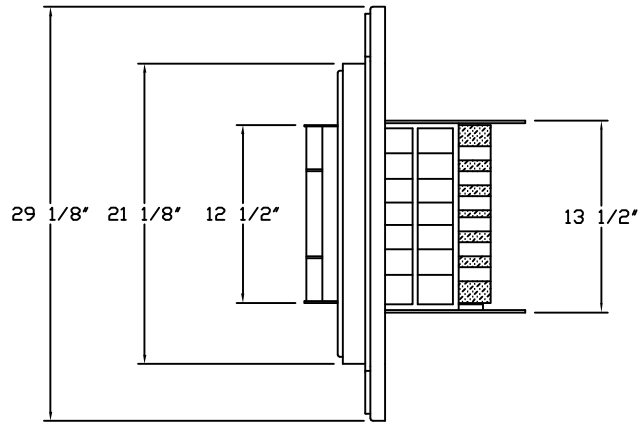
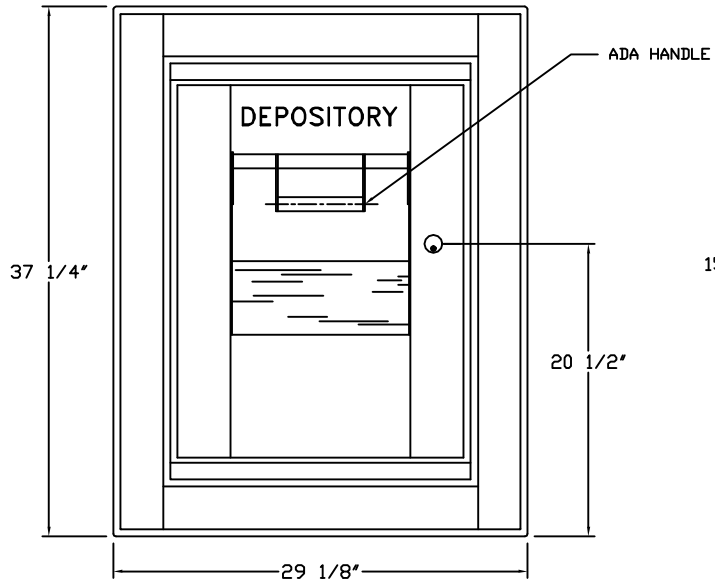


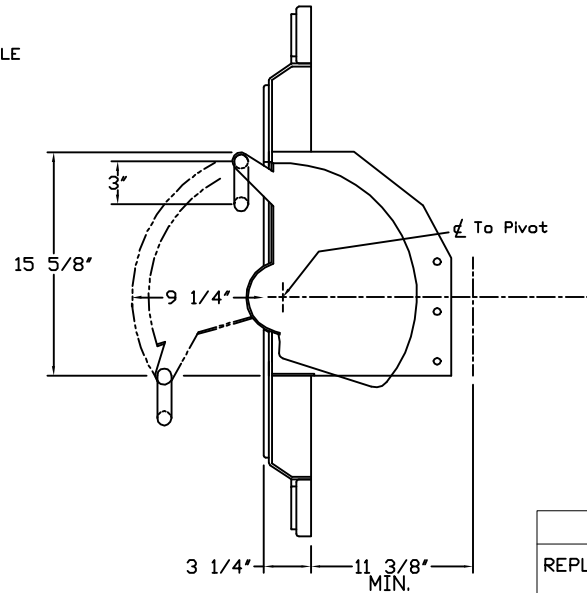
MIN. WALL OPENING



PLAN



FRONT ELEVATION



SECTION

<b>HAMILTON SAFE</b>	
REPLACEMENT NIGHT DEPOSITORY MODEL 98RH SHOWN WITH OPTIONAL B6306-2 (4" TRIM ALL AROUND)	
Drawing Number: 195-635	Date: 19-30-98