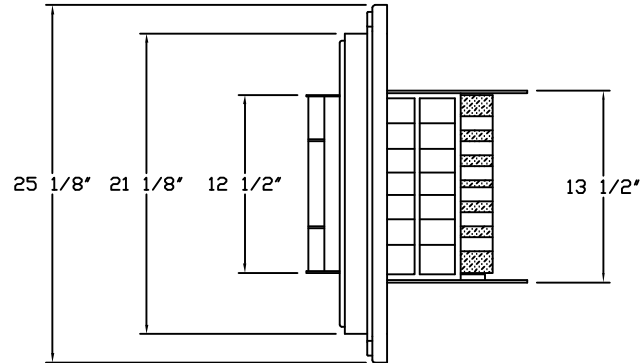
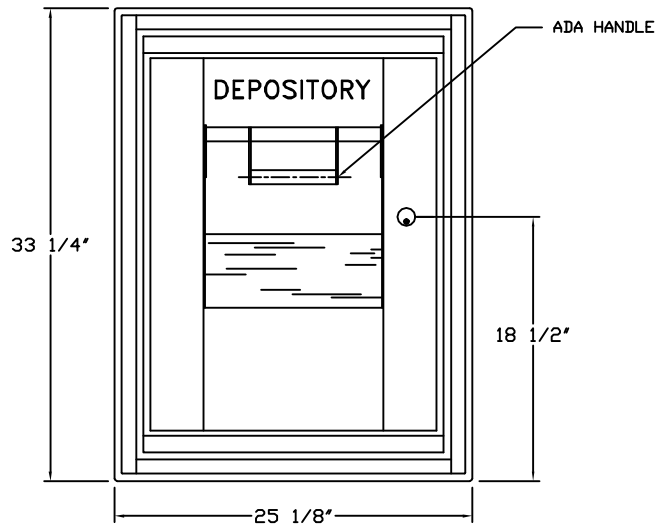


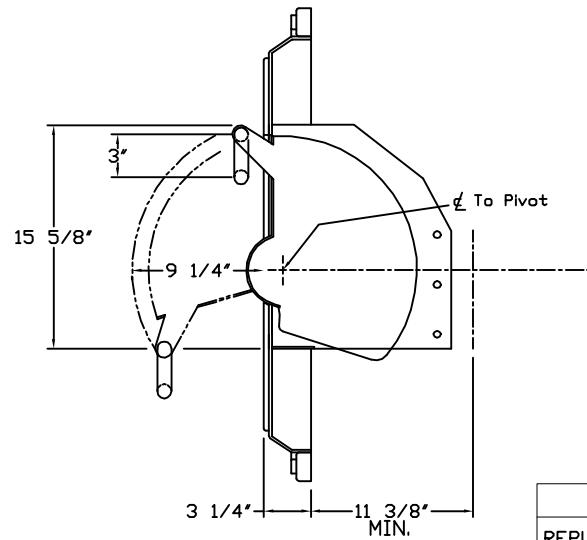
MIN. WALL OPENING



PLAN



FRONT ELEVATION



SECTION

<b>HAMILTON SAFE</b>	
REPLACEMENT NIGHT DEPOSITORY	
MODEL 98RH	
SHOWN WITH OPTIONAL	
B6305-2 (2" TRIM ALL AROUND)	
Drawing Number 195-632	Date 19-30-98