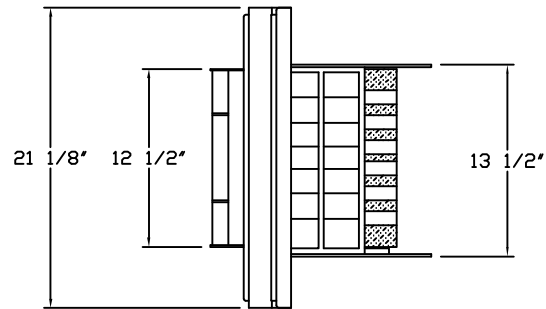
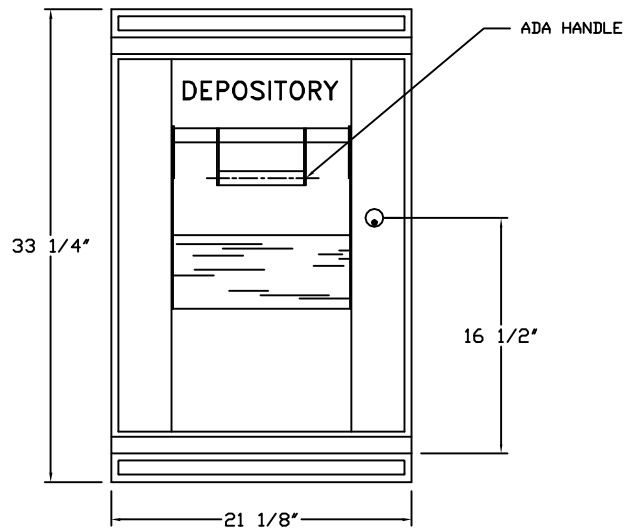


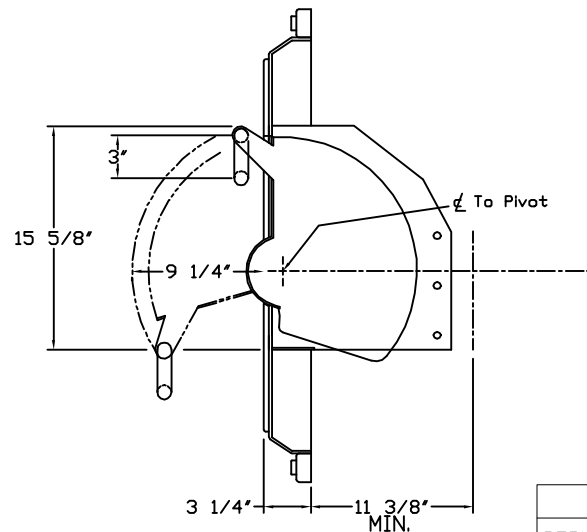
MIN. WALL OPENING



PLAN



FRONT ELEVATION



SECTION

HAMILTON SAFE	
REPLACEMENT NIGHT DEPOSITORY MODEL 98RH SHOWN WITH OPTIONAL B6305-1 (2' TRIM TOP & BOTTOM)	
Drawing Number : 95-631	Date : 9-30-98