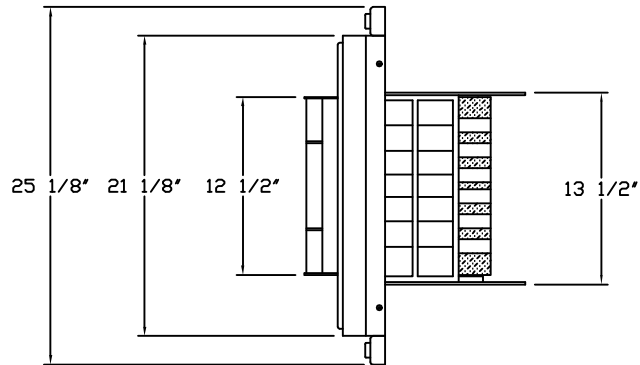
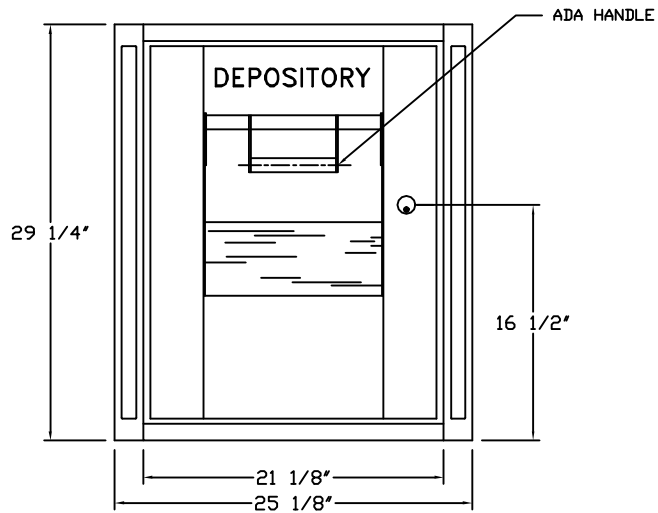


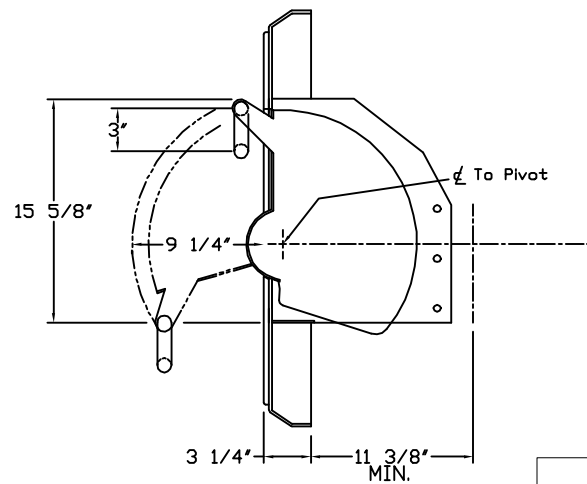
MIN. WALL OPENING



PLAN



FRONT ELEVATION



SECTION

HAMILTON SAFE	
REPLACEMENT NIGHT DEPOSITORY	
MODEL 98RH	
SHOWN WITH OPTIONAL	
B6305 (2" TRIM-SIDES ONLY)	
Drawing Number: 195-630	Date: 19-30-98