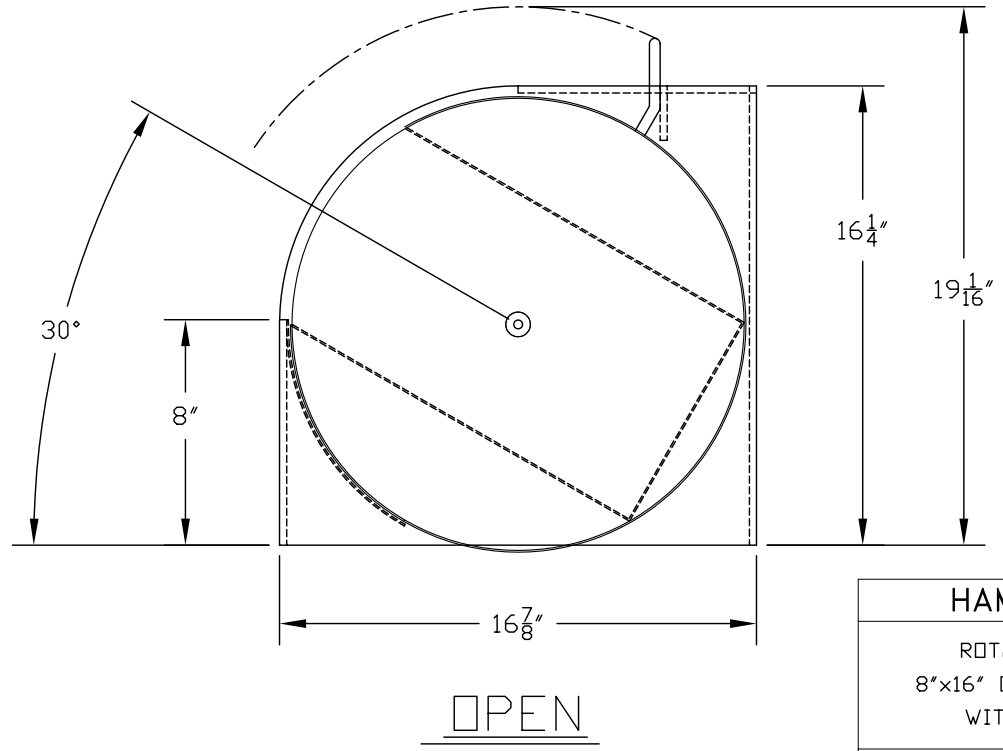
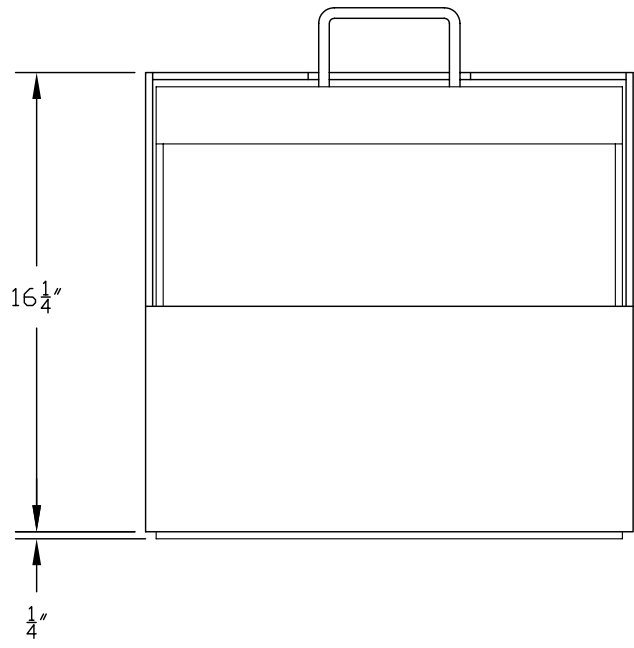
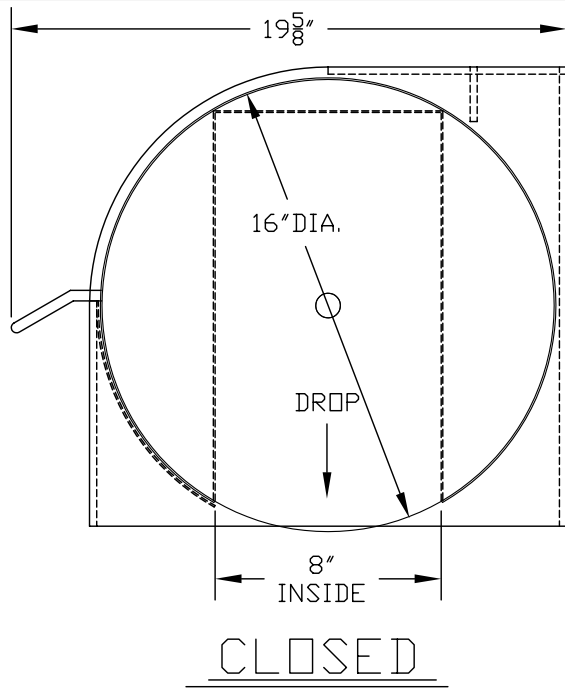
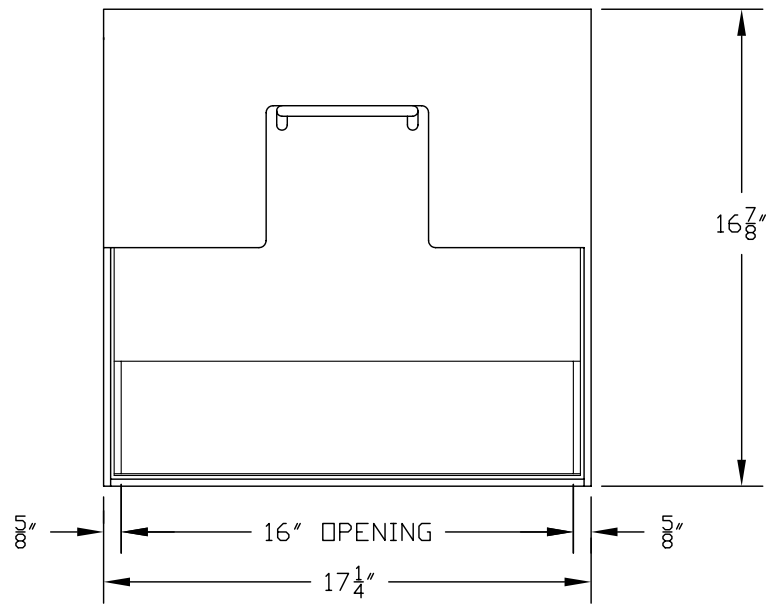


Rev - 1	3/4/05 DRUM DIA. WAS 14"
Rev - 2	



HAMILTON SAFE	
ROTARY HOPPER HEAD 8"x16" OPENING FOR DEPOSIT WITH INSIDE HANDLE	
Drawing Number : 95-627	Date : 4-21-99