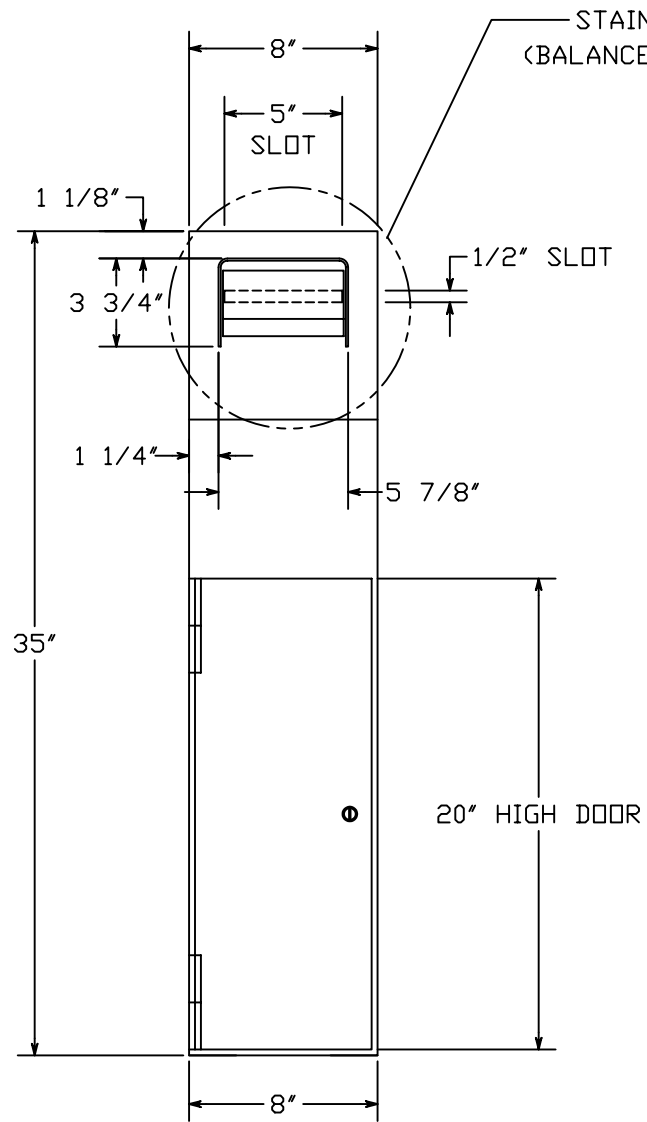
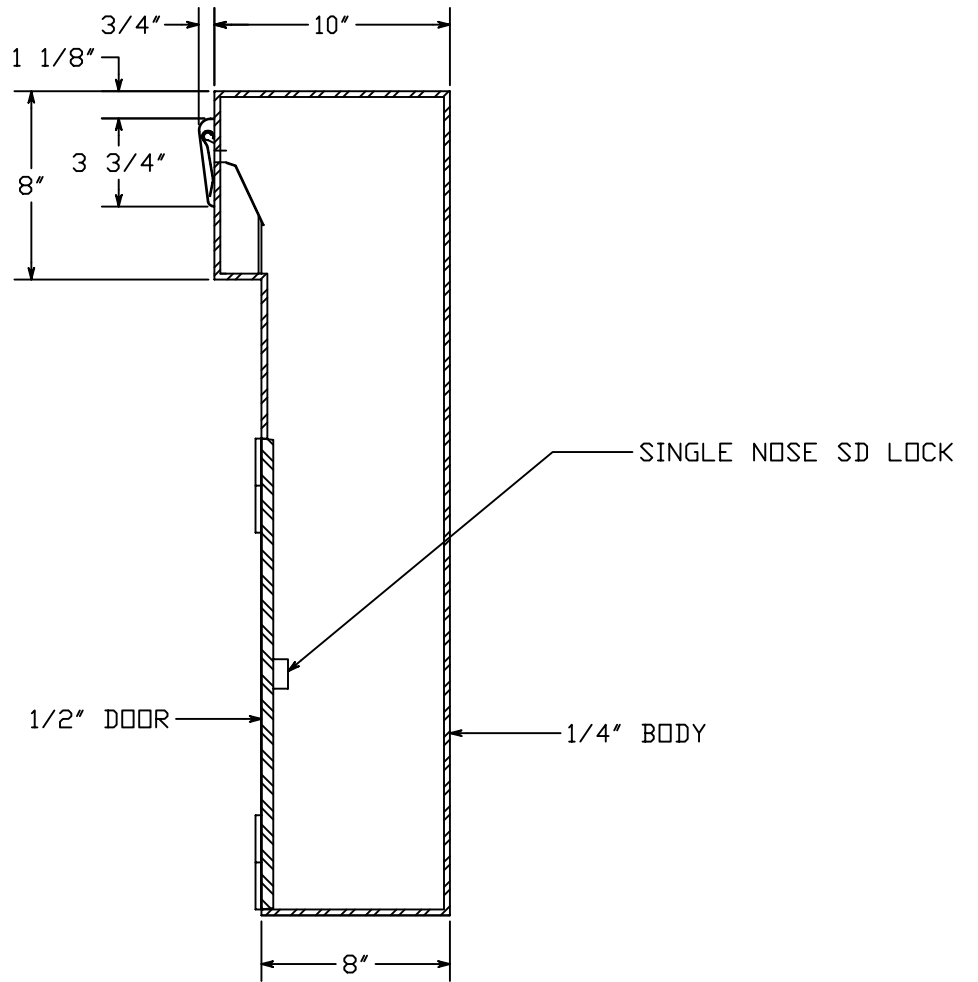


Rev - 1	12/12/05 Remvd H.S. & D.C.
Rev - 2	



FRONT



SECTION

EQUIPMENT

- SPECIAL ENVELOPE DEPOSITORY WITH LOCKER RECEIVING COMPARTMENT...

HAMILTON SAFE

SPECIAL ENVELOPE DEPOSITORY
PER WELLS FARGO SPECS
MODEL 250-WELLS