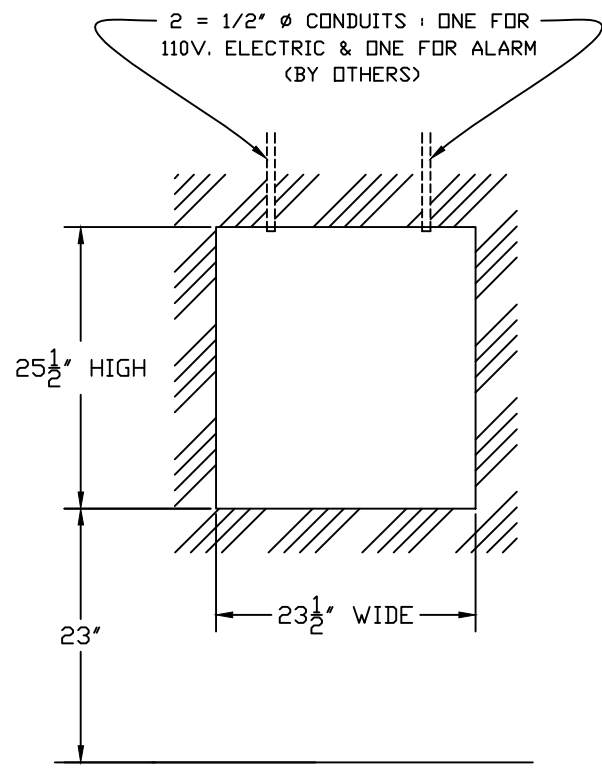
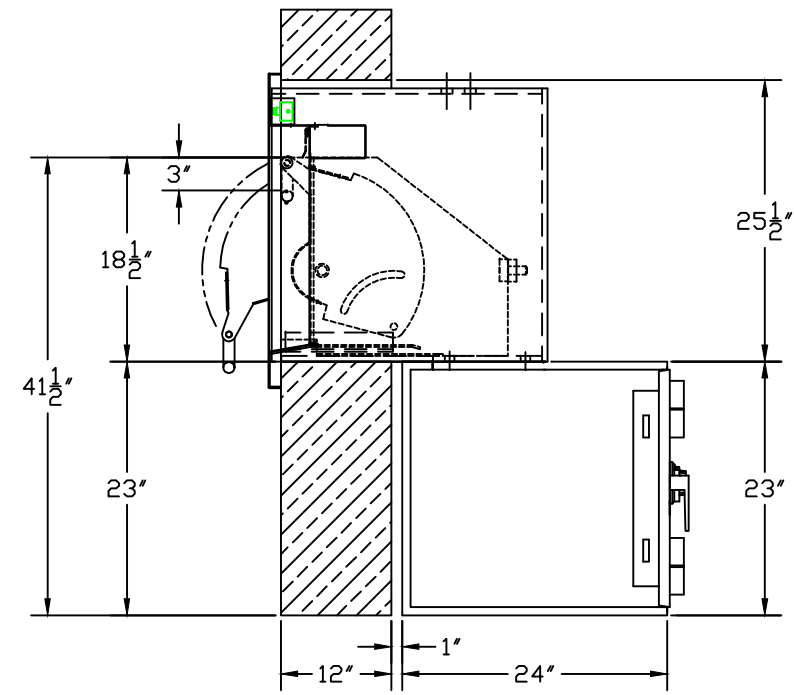


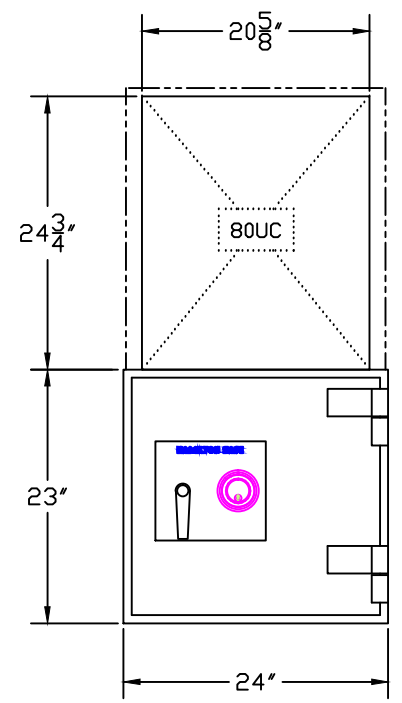
Rev - 1	01-22-09 UPDATED DRAWING
Rev - 2	5-10-12 UPDATED DRAWINGS



MASONRY DETAIL



SECTION



INTERIOR

EQUIPMENT

- 1.) 80UC DEPOSITORY HEAD WITH SECURE ENCASEMENT
- 2.) CHEST 23"H x 24"W x 24"D, TL-15 RIGHT SWING

<b>HAMILTON SAFE</b>	
80UC (DRIVE-UP) W/SECURE HOUSING TRADITION SYSTEM INSIDE & OUTSIDE ELEV. SAME	
Drawing Number : 95-230	Date : 12-7-95