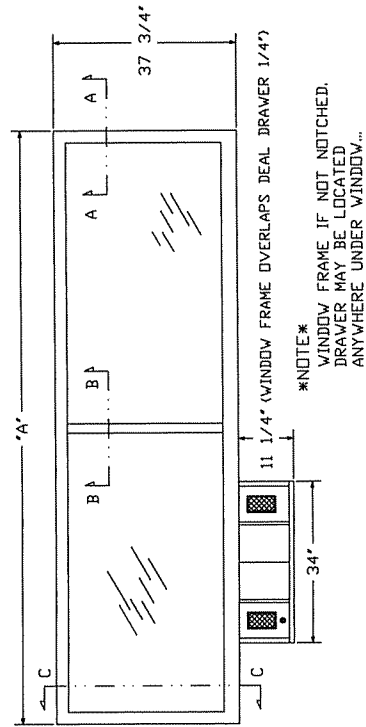


MASONRY OPENING - INTERIOR DETAIL

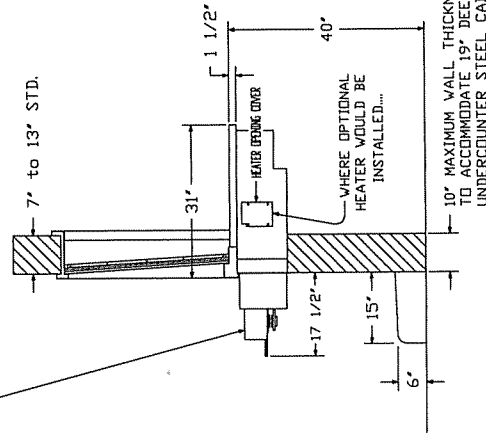


\*NOTE\* WINDOW FRAME IF NOT NOTCHED, DRAWER MAY BE LOCATED ANYWHERE UNDER WINDOW...

EXTERIOR ELEVATION

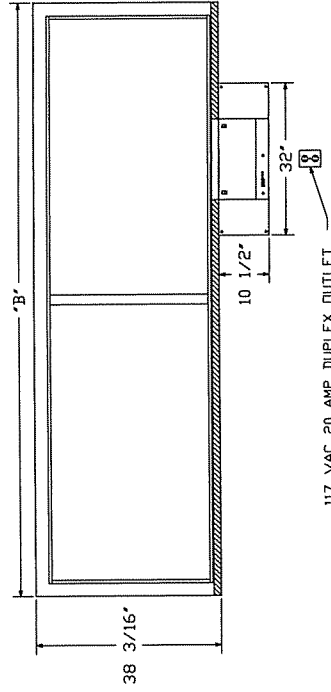
WINDOW SCHEDULE					
MODEL No.	"A"	"B"	"C"	Recommended "D"	Glass
035D	63"	64 17/32"	60 1/2"	13 3/4"	SINGLE GLASS
036D	75"	76 17/32"	72 1/2"	13 3/4"	SINGLE GLASS
038D	99"	100 17/32"	96 1/2"	13 3/4"	SINGLE GLASS
310D	10'-3"	10'-4 17/32"	10'-0 1/2"	18 1/4"	DOUBLE GLASS
312D	12'-3"	12'-4 17/32"	12'-0 1/2"	18 1/4"	DOUBLE GLASS
315D	15'-3"	15'-4 17/32"	15'-0 1/2"	18 1/4"	TRIPLE GLASS

THE EXTENSION OF THE BUCKET CAN BE ADJUSTED FROM 9" MINIMUM TO 17 1/2" MAXIMUM. (COMES SET @ 17 1/2" FROM FACTORY)



10" MAXIMUM WALL THICKNESS TO ACCOMMODATE 19" DEEP UNDERCOUNTER STEEL CABINETS.

VERTICAL SECTION



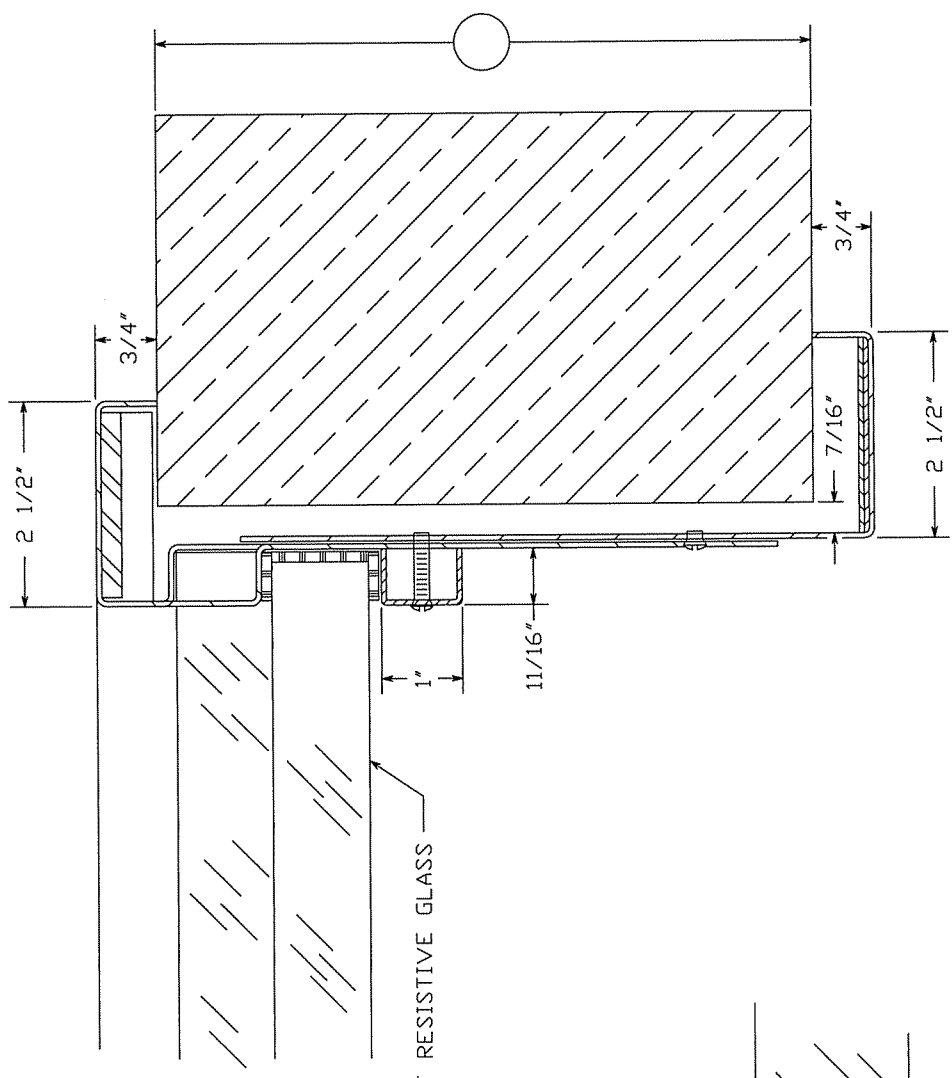
117 VAC 20 AMP DUPLEX OUTLET

INTERIOR ELEVATION

POWER REQUIREMENTS:  
117 V.A.C. 60 HZ  
18 AMP WITH HEATER OPTION  
4 AMP WITHOUT HEATER OPTION

HAMILTON SAFE

DRIVE-UP WINDOWS WITH  
400DD DEAL DRAWER  
U.L. LISTED



1 3/4" BULLET RESISTIVE GLASS

MULLION REQUIRED ON WINDOWS WITH MORE THAN ONE PIECE OF GLASS... (EX. - 310D, 312D, 315D, & ETC...)

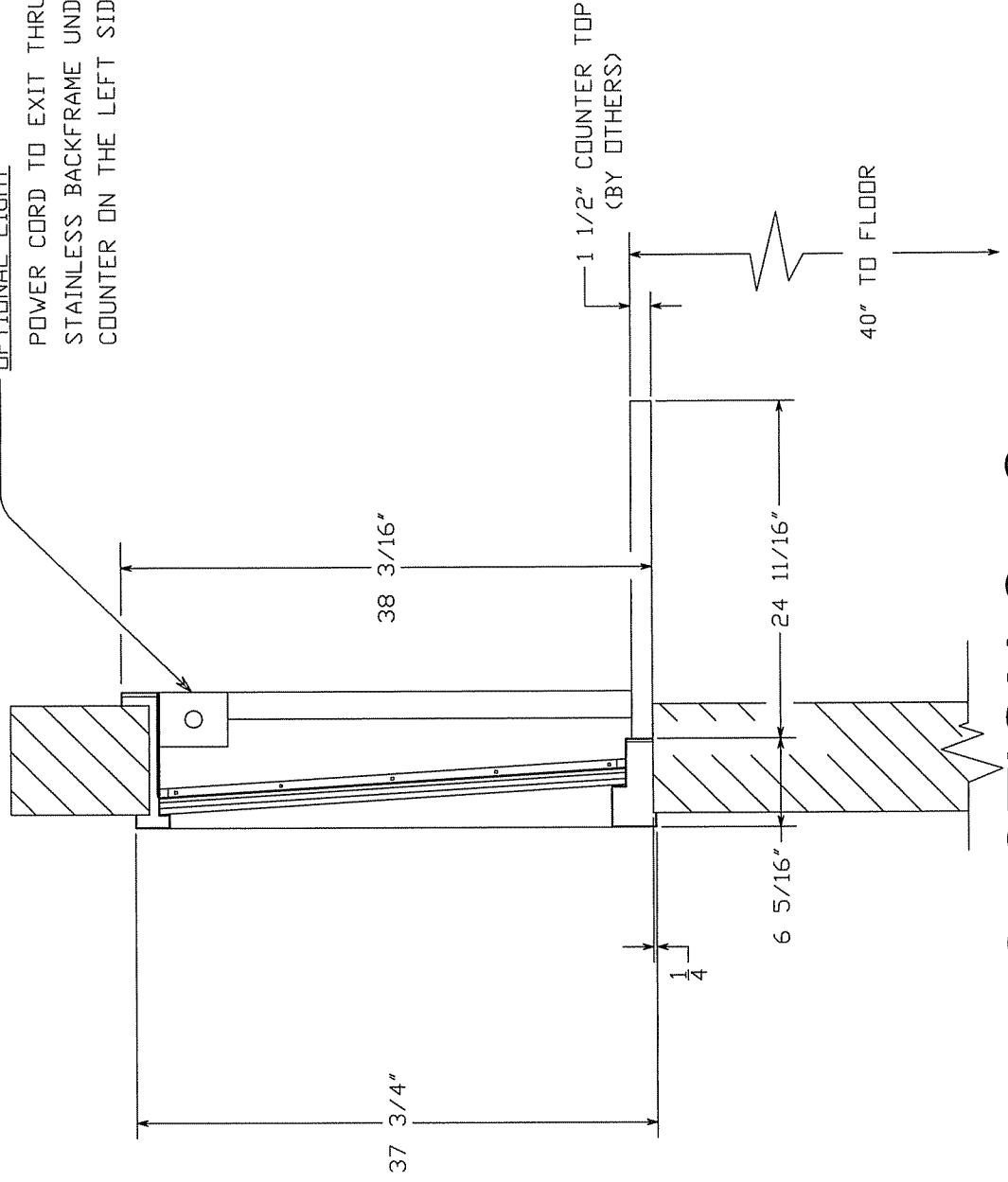
ADVISE WALL THICKNESS  
STD. BACKFRAME ACCEPTS 7" to 13" (8" SHOWN)

SECTION A - A

SECTION B - B

HAMILTON SAFE	
DRIVE-UP WINDOWS WITH 400DD DEAL DRAWER	
UL LISTED	2 of 3
Drawing Number : 95-135	Date : 9-6-94

OPTIONAL LIGHT  
POWER CORD TO EXIT THRU  
STAINLESS BACKFRAME UNDER  
COUNTER ON THE LEFT SIDE..



# SECTION C - C

HAMILTON SAFE

DRIVE-UP WINDOWS WITH  
400DD DEAL DRAWER  
U.L. LISTED