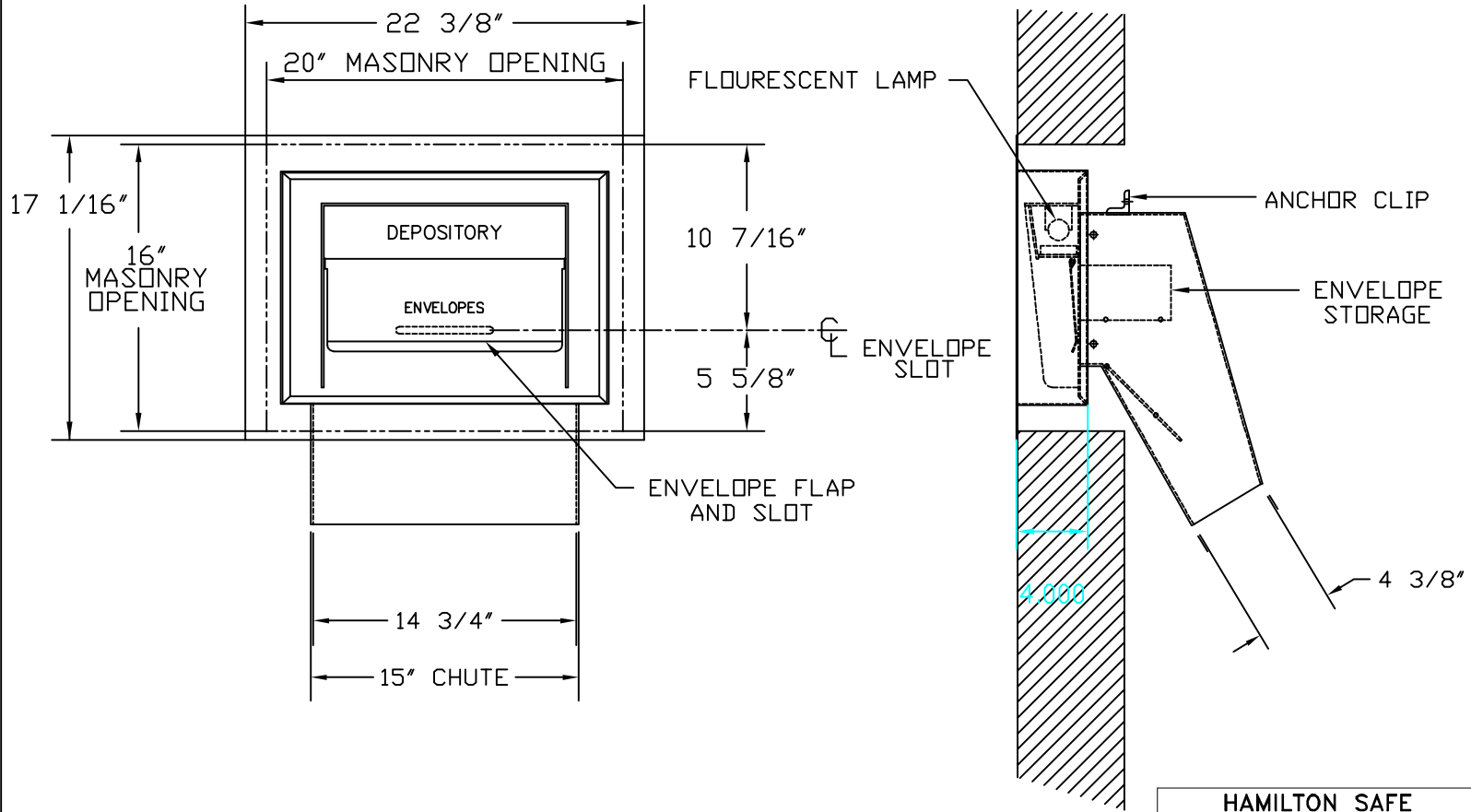


Rev - 1	
Rev - 2	



HAMILTON SAFE
 68-EF ENVELOPE DEPOSITORY
 WITH RECESSED COLLAR TO
 REPLACE THE MODEL 67-ER.

Drawing Number : 95-128 Date : 10-26-94