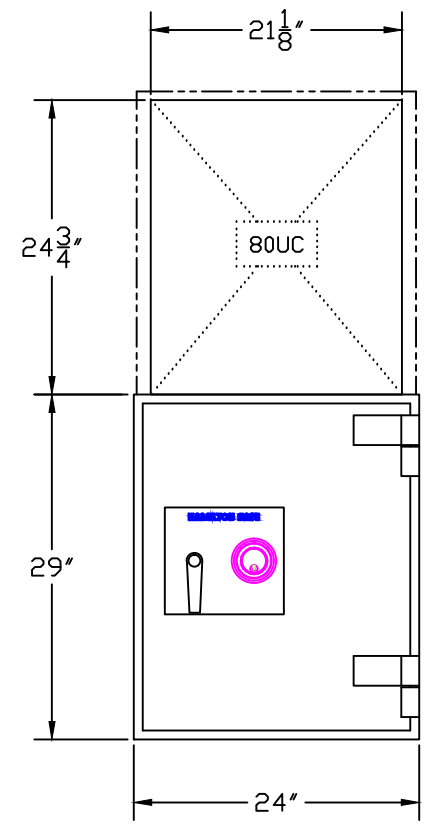
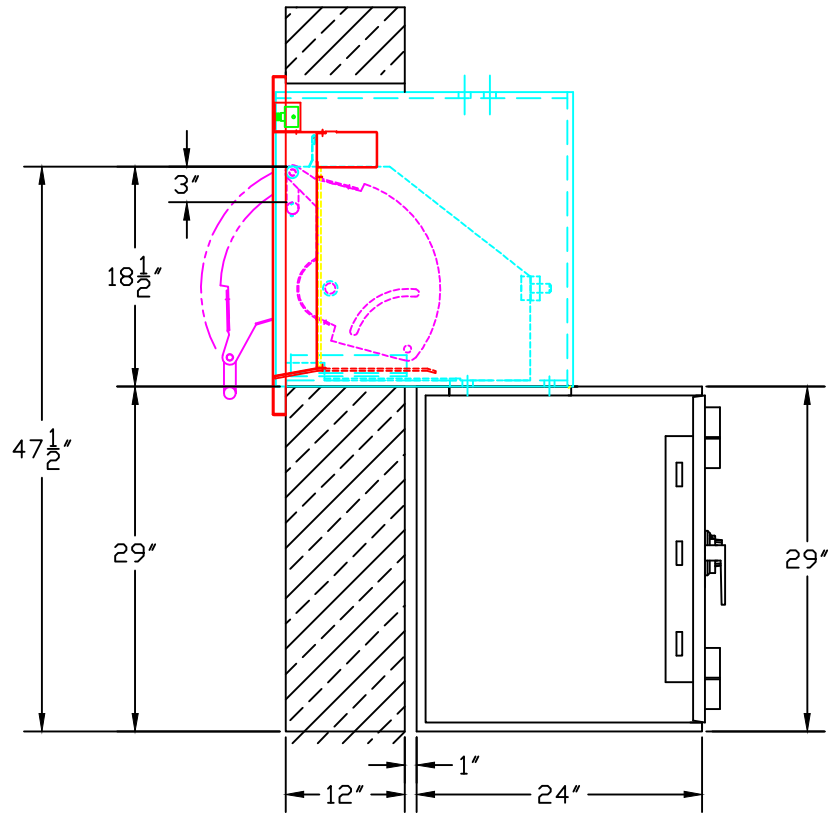
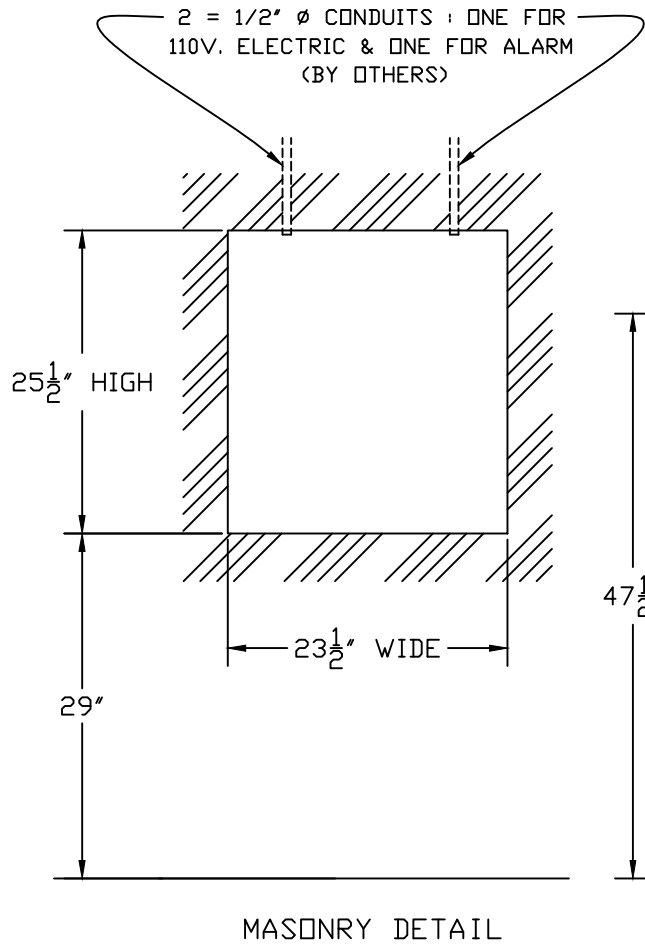


Rev - 1	01-22-09 UPDATED DRAWING
Rev - 2	5-10-12 UPDATED DRAWINGS
Rev - 3	8-1-12 CORRECTED M.O..



EQUIPMENT

- 1.) 80UC DEPOSITORY HEAD WITH SECURE ENCASEMENT
- 2.) CHEST 29"H x 24"W x 24"D, TL-15 RIGHT SWING

<b>HAMILTON SAFE</b>	
80UC WALK-UP TRADITION SYSTEM WITH SECURE HOUSING	
Drawing Number : 95-124	Date : 09-06-05