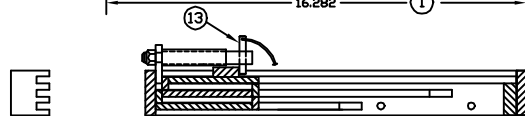
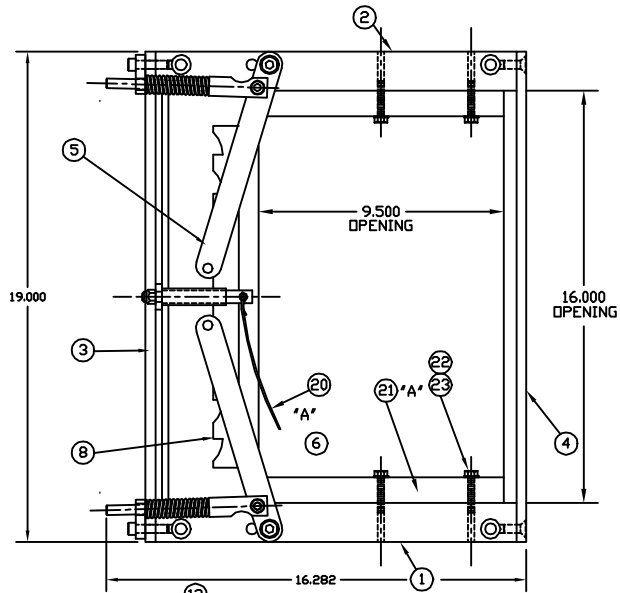
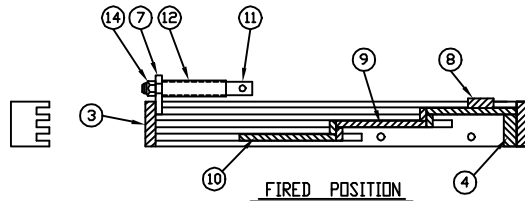


Rev - 1

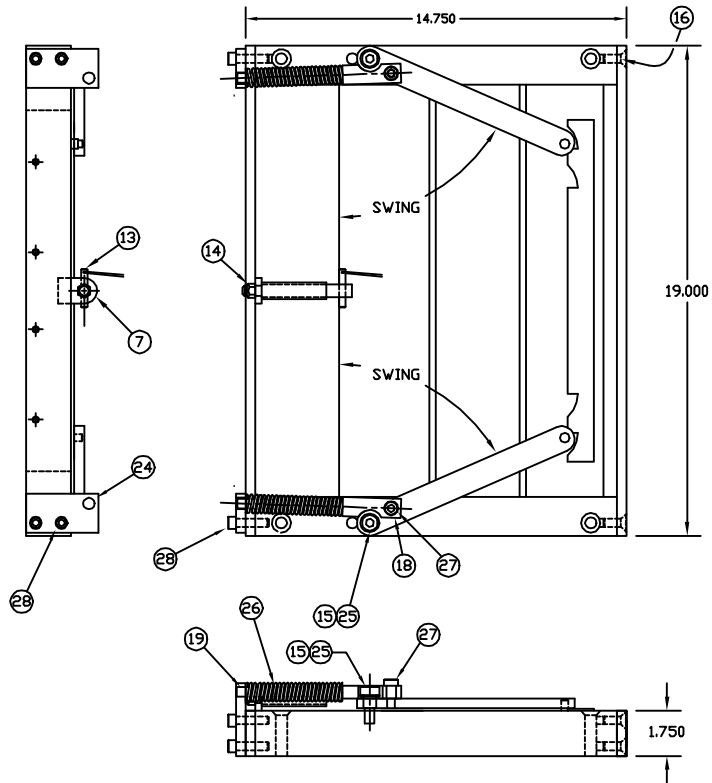
Rev - 2



COCKED POSITION



FIRED POSITION



NOTE: SEE DRAWING #99-671 FOR BILL OF MATERIAL.

REVISION 'C' 10-7-98 ( CHANGED POSITIONING OF ARMS FOR SHORTER WIDTH )  
 REVISION 'B' 8-23-96 ( CHANGED SPRINGS TO COMPRESSION TYPE FOR BETTER THROW )  
 REVISION 'A' 10-7-94 ( ADDED MAINT. BLOCKS )

### HAMILTON SAFE

NIGHT DEPOSITORY CHUTE  
 CLOSURE DEVICE  
 U.L. LISTED

Drawing Number : 92-670    Date : 9-24-93