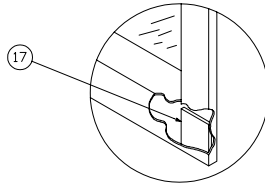
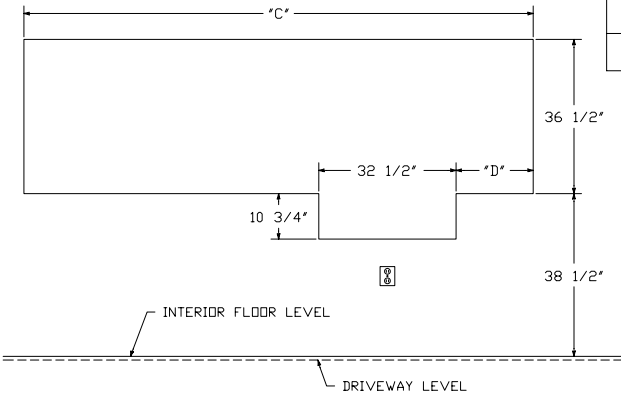


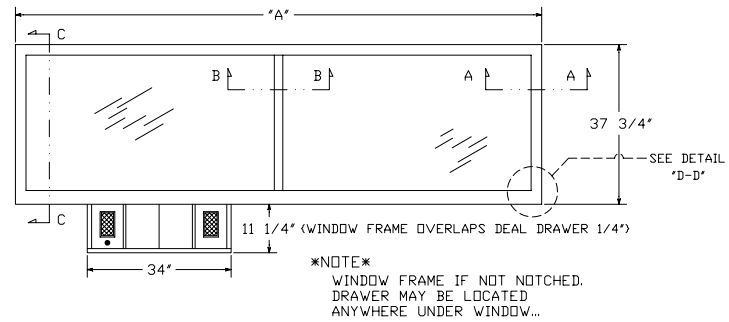
| WINDOW SCHEDULE |        |              |            |                 |              |
|-----------------|--------|--------------|------------|-----------------|--------------|
| MODEL No.       | "A"    | "B"          | "C"        | Recommended "D" | Glass        |
| 035D            | 63"    | 64 17/32"    | 60 1/2"    | 13 3/4"         | SINGLE GLASS |
| 038D            | 99"    | 100 17/32"   | 96 1/2"    | 13 3/4"         | SINGLE GLASS |
| 310D            | 10'-3" | 10'-4 17/32" | 10'-0 1/2" | 18 1/4"         | DOUBLE GLASS |
| 312D            | 12'-3" | 12'-4 17/32" | 12'-0 1/2" | 18 1/4"         | DOUBLE GLASS |
| 315D            | 15'-3" | 15'-4 17/32" | 15'-0 1/2" | 18 1/4"         | TRIPLE GLASS |

| ITEM NO. | PART NO. | DESCRIPTION  | QTY.                |
|----------|----------|--|---------------------|
| ①        |          | 1 3/4" THK. BULLET RESISTIVE GLASS - LEVEL III     | SEE WINDOW SCHEDULE |
| ②        |          | 16GA 304 SST ARCHITRAVE RIGHT & LEFT               | 2                   |
| ③        |          | 10-32 BUTTON HEAD CAP SCREW                        | 10                  |
| ④        |          | 16GA 304 SST RETAINING CHANNEL RIGHT & LEFT        | 2                   |
| ⑤        |          | 10-32 BUTTON HEAD CAP SCREW                        | 10                  |
| ⑥        |          | RUBBER GASKET                                      | AS REQUIRED         |
| ⑦        |          | 16GA 304 SST UPRIGHT SIDE RIGHT & LEFT             | 2                   |
| ⑧        |          | 11GA 304 SST MULLION INTERIOR                      | 1                   |
| ⑨        |          | 1/4"-20 BOLT WITH NUT                              | 5                   |
| ⑩        |          | 11GA 304 SST MULLION EXTERIOR (WELDAMENT)          | 1                   |
| ⑪        |          | 16GA 304 SST WINDOW BOTTOM                         | 1                   |
| ⑫        |          | 16GA 304 SST WINDOW TOP                            | 1                   |
| ⑬        |          | 16GA 304 SST ARCHITRAVE TOP                        | 1                   |
| ⑭        |          | 16GA 304 SST RETAINING CHANNEL TOP & BOTTOM.       | 2                   |
| ⑮        |          | DOUBLE SIDED FOAM TAPE                             | AS REQUIRED         |
| ⑯        |          | 16GA 304 STAINLESS STEEL                           | AS REQUIRED         |
| ⑰        |          | 1/4" STL. PLATE IN BOTTOM RH & LH OUTER FRAME ONLY | 2                   |

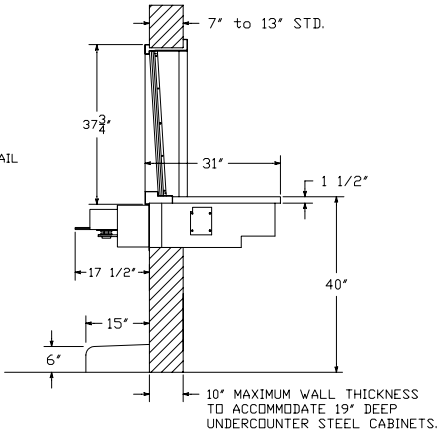


**DETAIL "D-D"**  
NOTE : PLATE IS ON OUTSIDE FRAME ONLY...

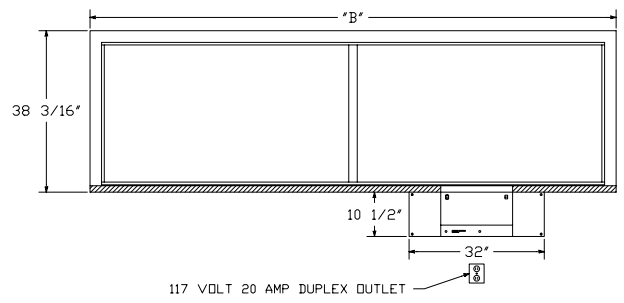
**MASONRY OPENING - INTERIOR DETAIL**



**EXTERIOR ELEVATION**



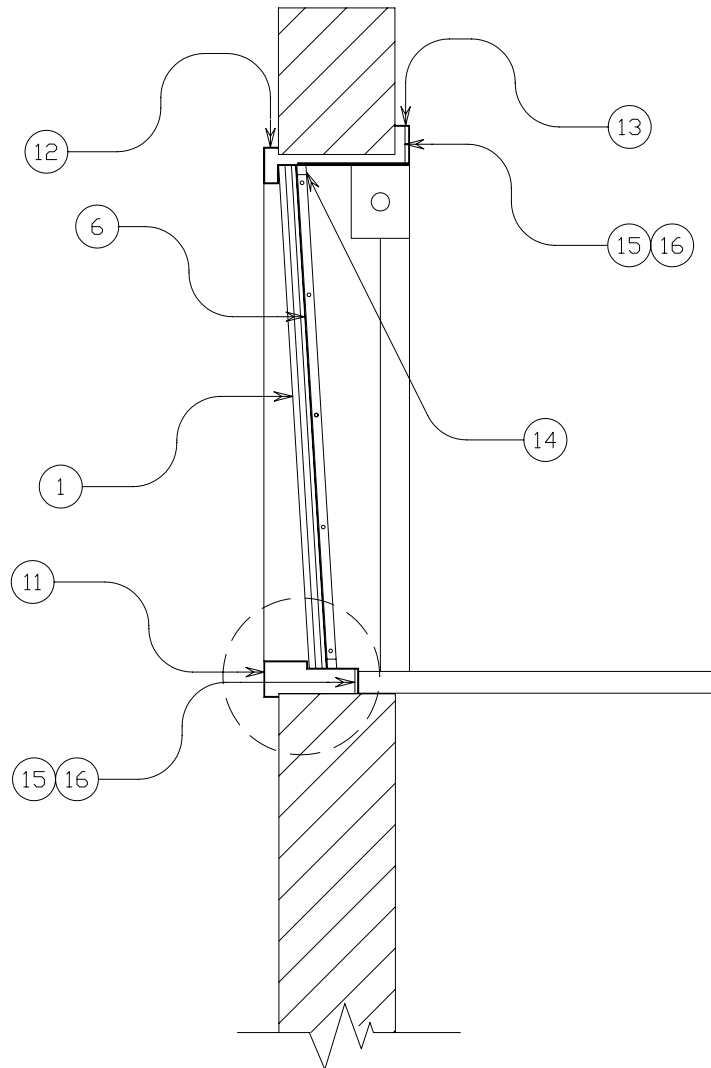
**VERTICAL SECTION**



**INTERIOR ELEVATION**

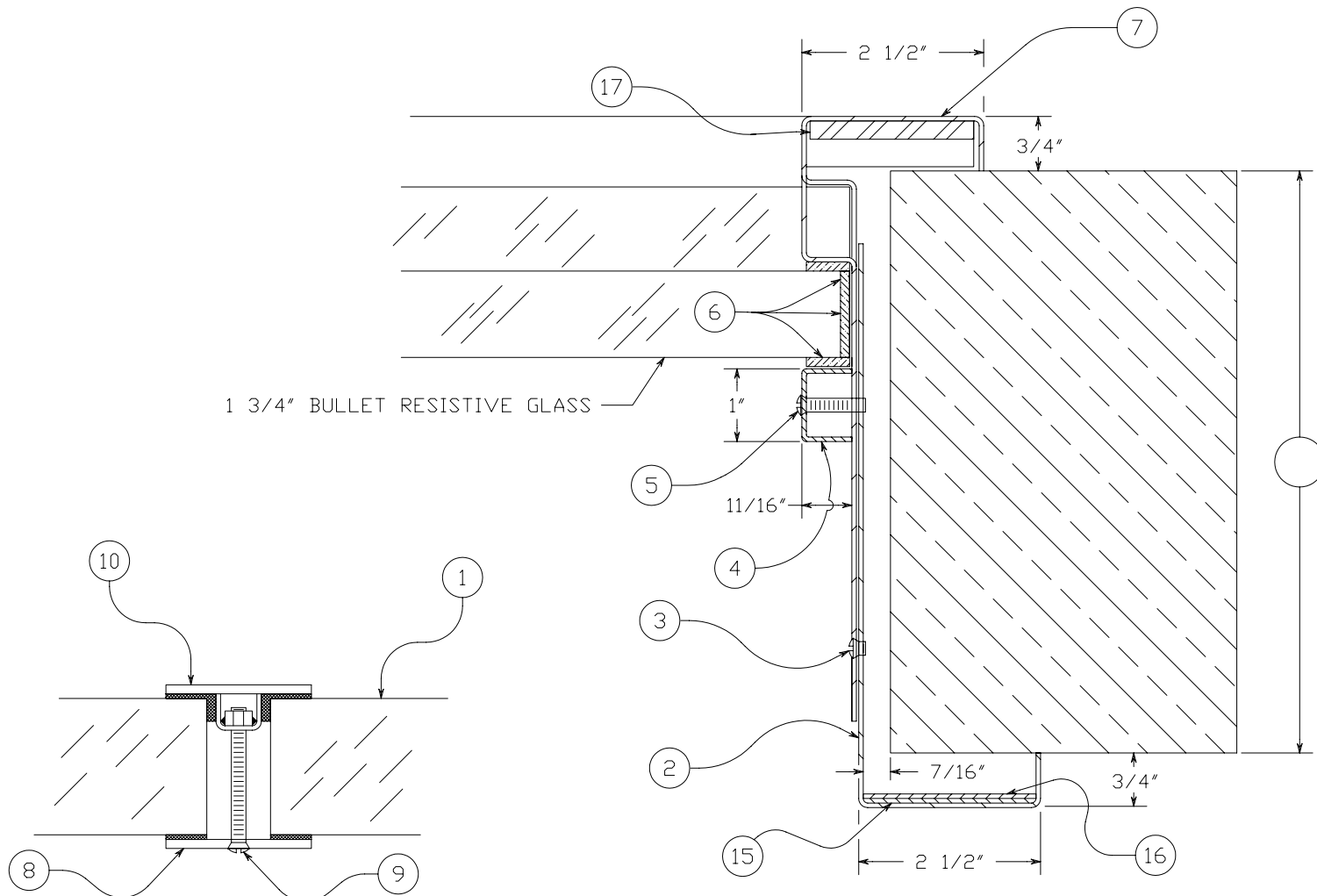
|   |                |
|---|----------------|
| <b>HAMILTON SAFE</b>                    |                |
| DRIVE-UP WINDOWS<br>U.L. LISTED LEVEL 3 |                |
| 1 of 3                                  |                |
| Drawing Number : 92-654                 | Date : 6-14-93 |

|        |               |   |
|--------|---------------|---|
| REV.-1 | DATE: 8-12-93 | ADDED 1/4" STEEL TO RIGHT & LEFT BOTTOM CORNERS |
| REV.-2 | DATE:         |   |



# SECTION C - C

|   |                |
|---|----------------|
| HAMILTON SAFE                           |                |
| DRIVE-UP WINDOWS<br>U.L. LISTED LEVEL 3 |                |
| 3 of 3                                  |                |
| Drawing Number : 92-654                 | Date : 6-14-93 |



1 3/4" BULLET RESISTIVE GLASS

ADVISE WALL THICKNESS  
 STD. BACKFRAME ACCEPTS 7" to 13" (8" SHOWN)

**SECTION B - B**

**SECTION A - A**

|   |                |
|---|----------------|
| HAMILTON SAFE                           |                |
| DRIVE-UP WINDOWS<br>U.L. LISTED LEVEL 3 |                |
| 2 of 3                                  |                |
| Drawing Number : 92-654                 | Date : 6-14-93 |