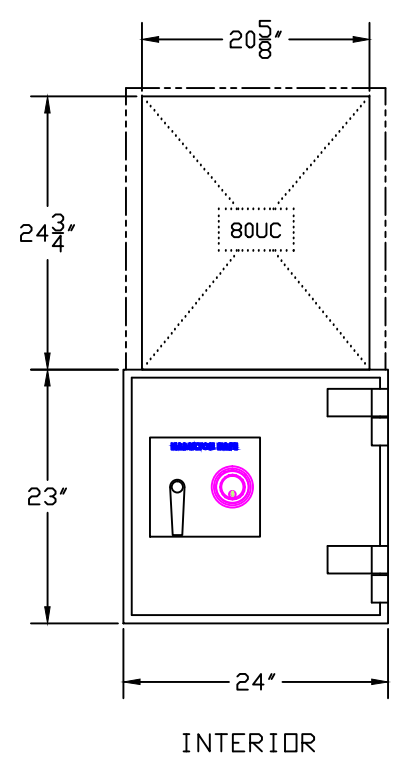
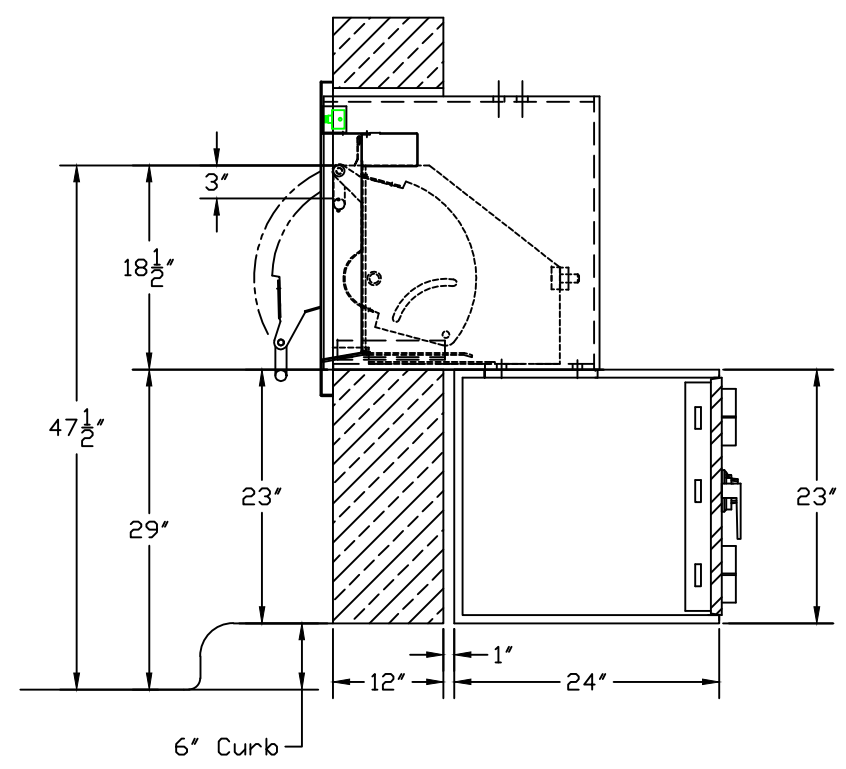
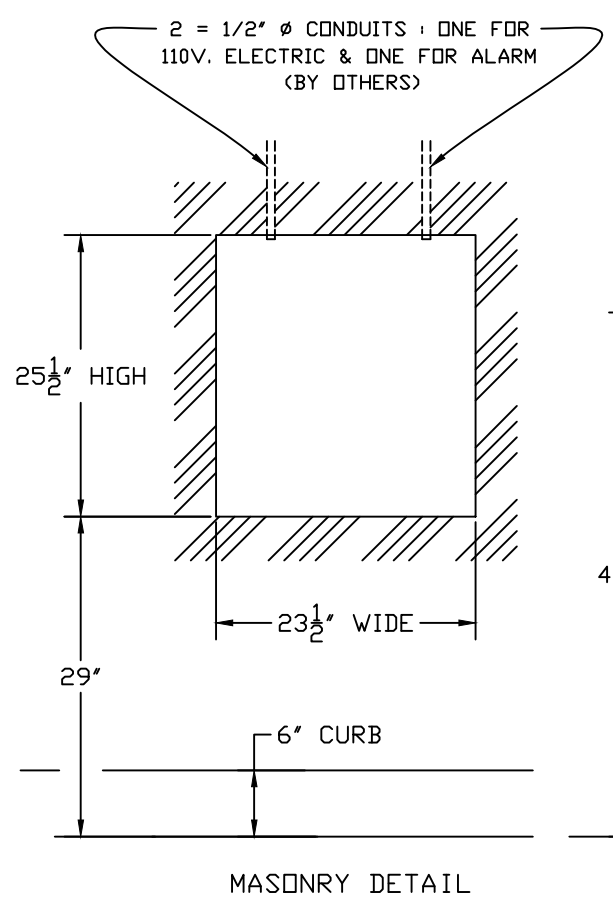


Rev - 1	01-12-09 UPDATED DRAWING
Rev - 2	5-10-12 UPDATED DRAWING



EQUIPMENT

1. > 80UC DEPOSITORY HEAD WITH SECURE ENCASEMENT
2. > CHEST 23"H x 24"W x 24"D, TL-15 RIGHT SWING

<b>HAMILTON SAFE</b>	
80UC (DRIVE-UP) TRADITION SYSTEM WITH SECURE ENCASEMENT	
Drawing Number : 92-651	Date : 5-3-92