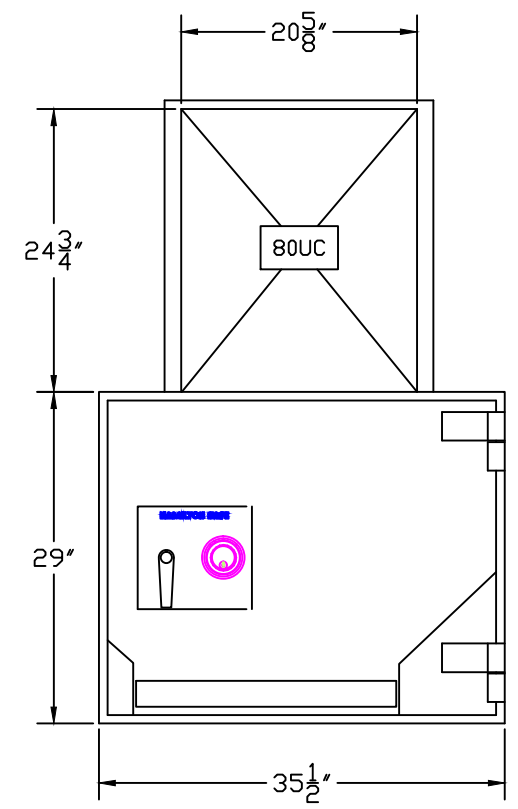
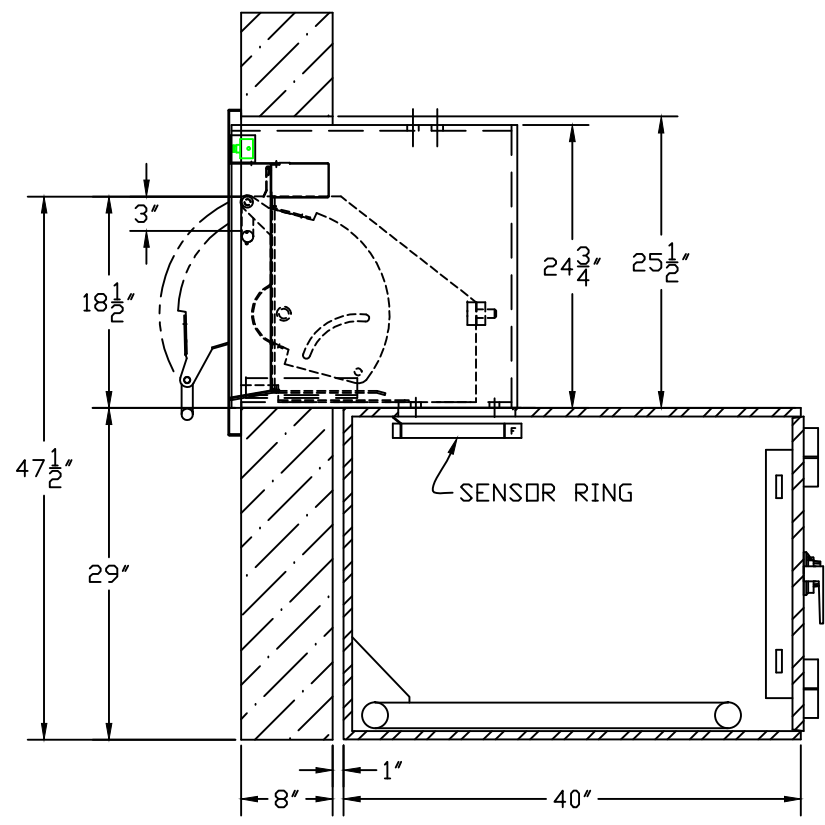
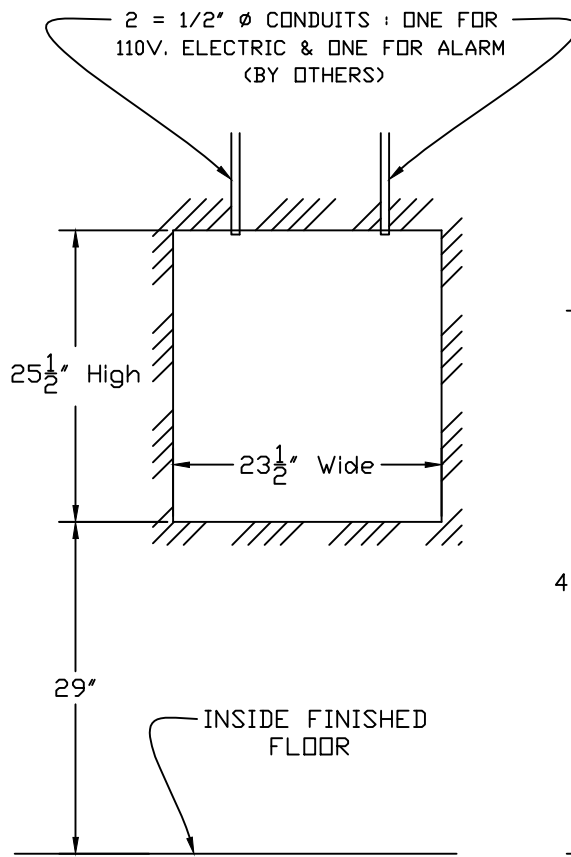


Rev - 1 09-16-11 UPDATED FOR A.D.A.

Rev - 2 5-10-12 UPDATED DRAWING.

NOTE

ELECTRICAL FOR CONVEYOR UNIT
EXITS THE CHEST THROUGH THE
LOWER RIGHT SIDE IN BACK
OF THE CHEST...



EQUIPMENT

- 1. > 80UC DEPOSITORY HEAD WITH SECURE HOUSING
- 2. > CHEST 29"H x 35 1/2"W x 40"D, TL-15 RIGHT SWING
- 3. > CONVEYOR SYSTEM WITH CHEST EMPTYING SWITCH

HAMILTON SAFE	
80UC (WALK-UP) W/SECURE HOUSING WITH CONVEYOR SYSTEM (CHEST EMPTYING SWITCH)	
Drawing Number : 92-650	Date : 5-4-93