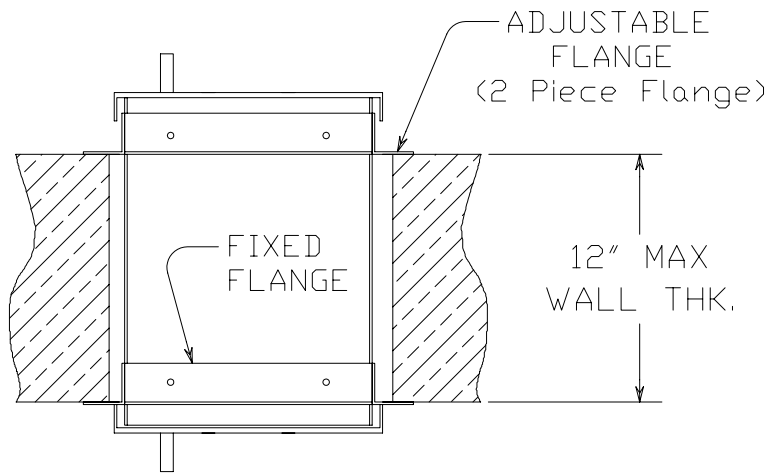
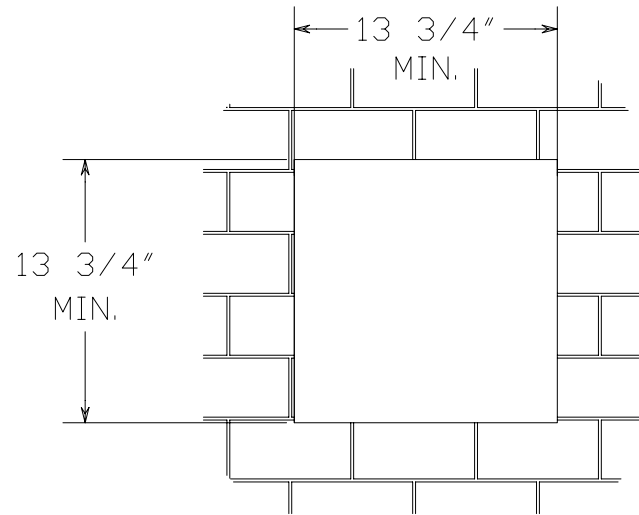


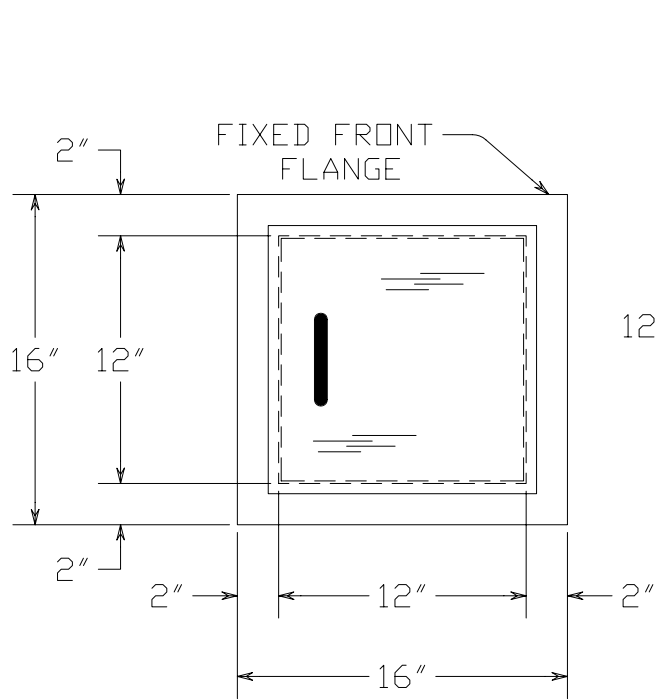
Rev - 1	3-1-93 INCREASED M.D..
Rev - 2	



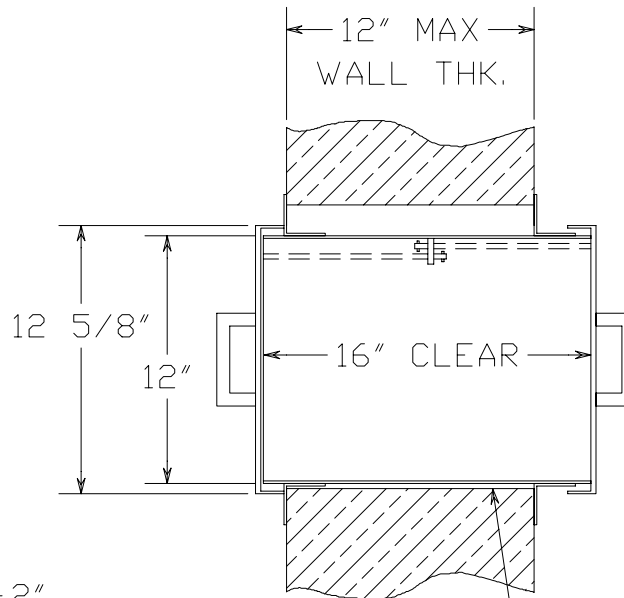
PLAN



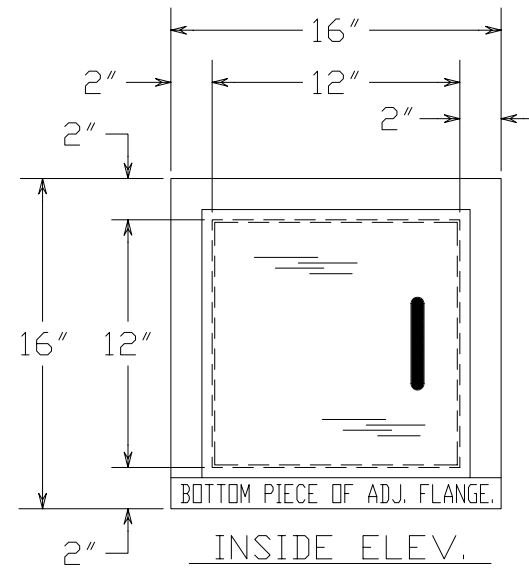
MASONRY OPENING



OUTSIDE ELEVATION



SECTION



INSIDE ELEV.

HAMILTON SAFE	
PACKAGE RECEIVER MODEL PRS-1 12"H x 12"W x 16"L CLEAR OPENING	
Drawing Number : 92-580	Date : 4-6-92