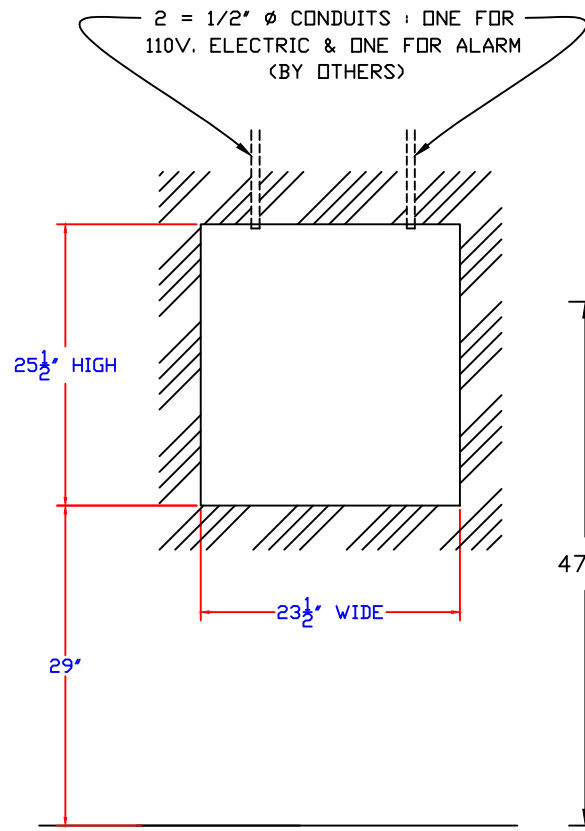
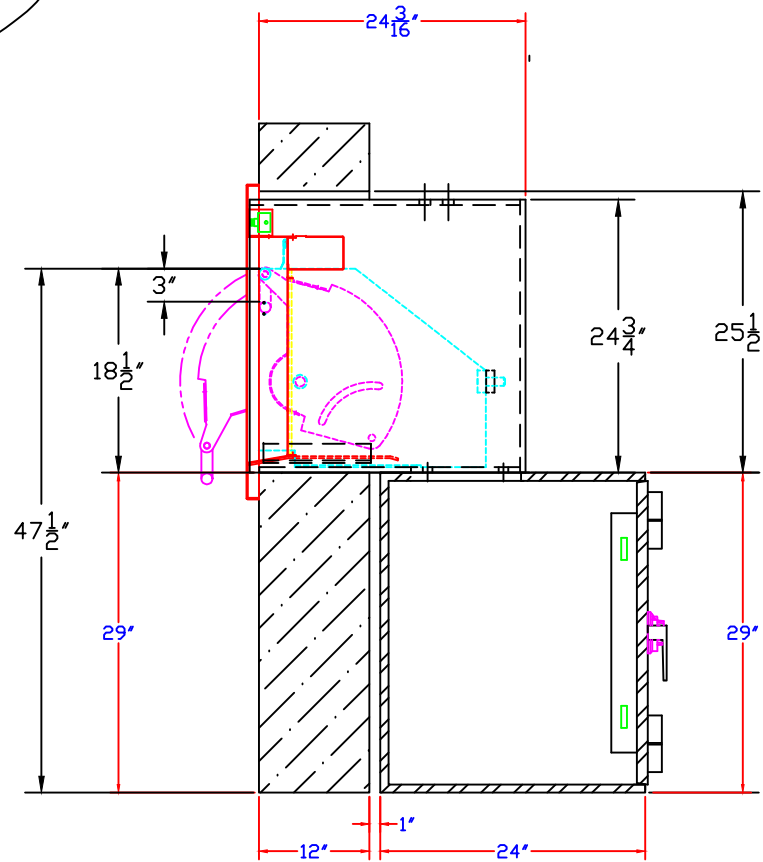


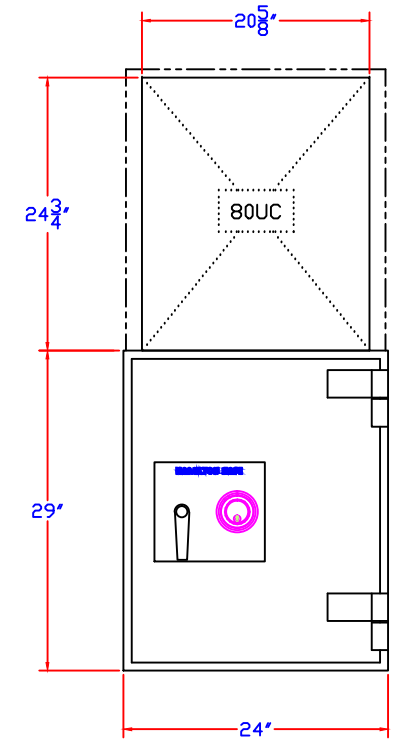
Rev - 1	09-16-11 UPDATE FOR A.D.A.
Rev - 2	11-3-11 corrected text



MASONRY DETAIL



SECTION



INTERIOR

EQUIPMENT

1. > 80UC DEPOSITORY HEAD WITH SECURE HOUSING
2. > CHEST 29"H x 24"W x 24"D, TL-15 RIGHT SWING

HAMILTON SAFE	
80UC (WALK-UP) TRADITION SYSTEM WITH SECURE HOUSING	
Drawing Number : 92-563	Date : 7-9-92