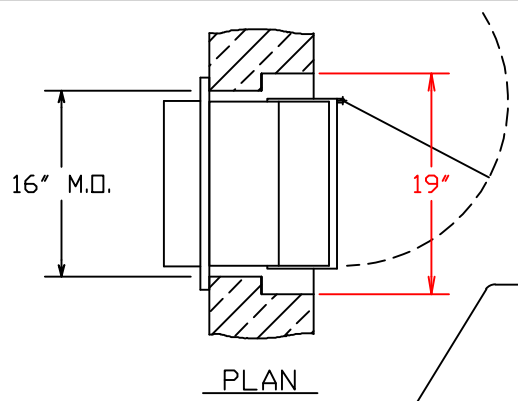
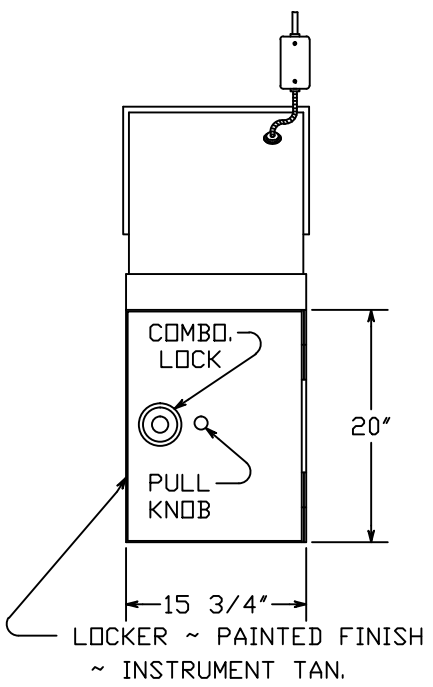
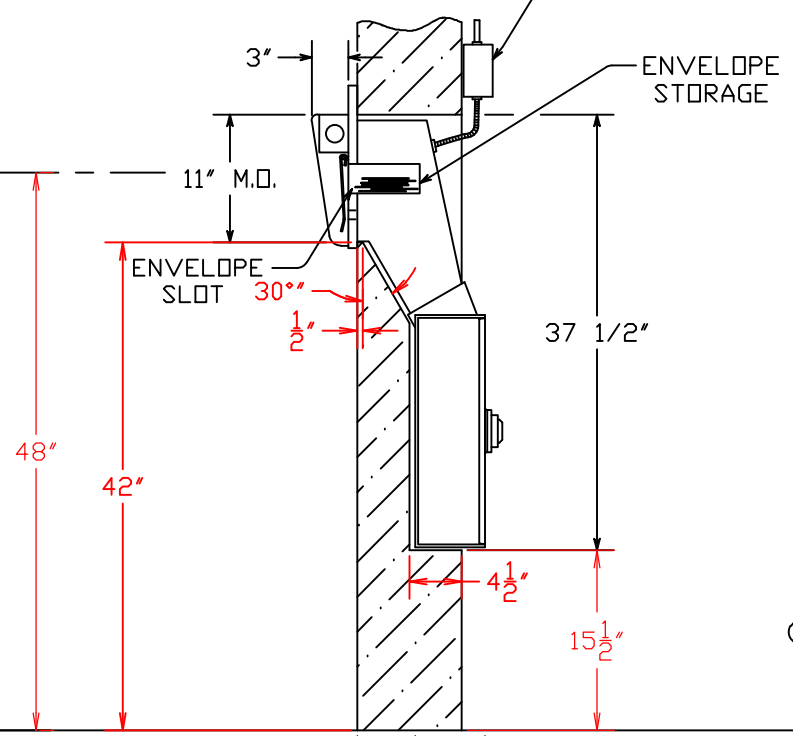
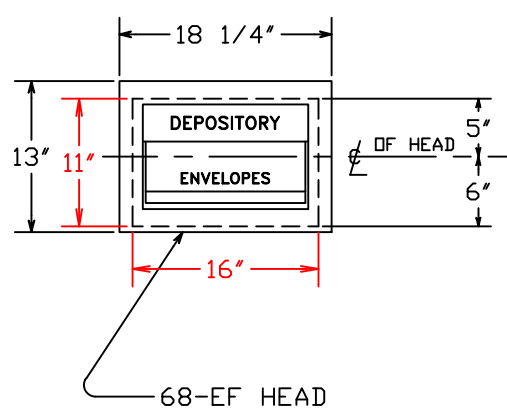


Rev - 1	09-16-11 UPDATED FOR A.D.A.
Rev - 2	



PROVIDE 120V ~ 60 HZ ~
15 AMP ELECTRICAL SERVICE
FOR FLUORESCENT LIGHT
FIXTURE (COWL LIGHT).



EXTERIOR

INTERIOR

5" 6"
9"
WALL THK.
SECTION

HAMILTON SAFE	
ENVELOPE DEPOSITORY MODEL 68-LD (68EF HEAD W/RECEIVING LOCKER)	
Drawing Number : 92-561	Date : 4-6-92