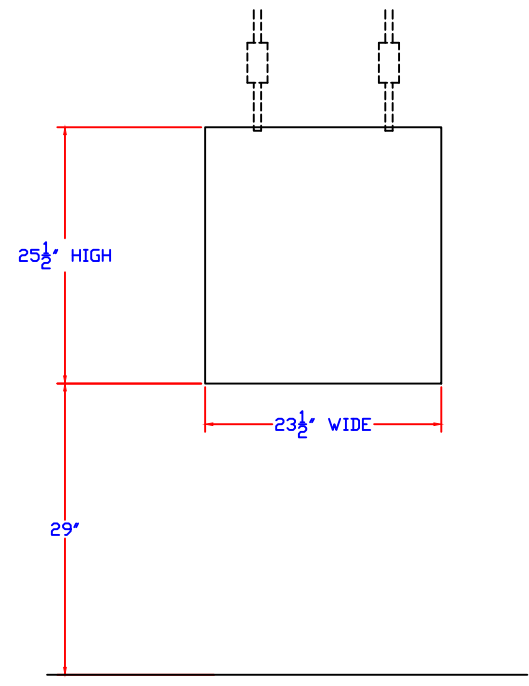
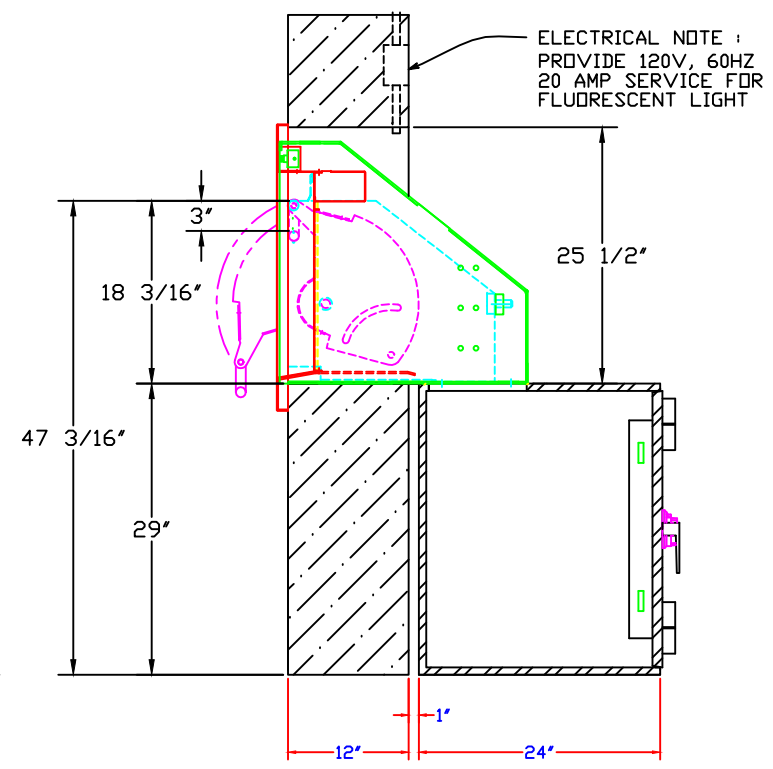


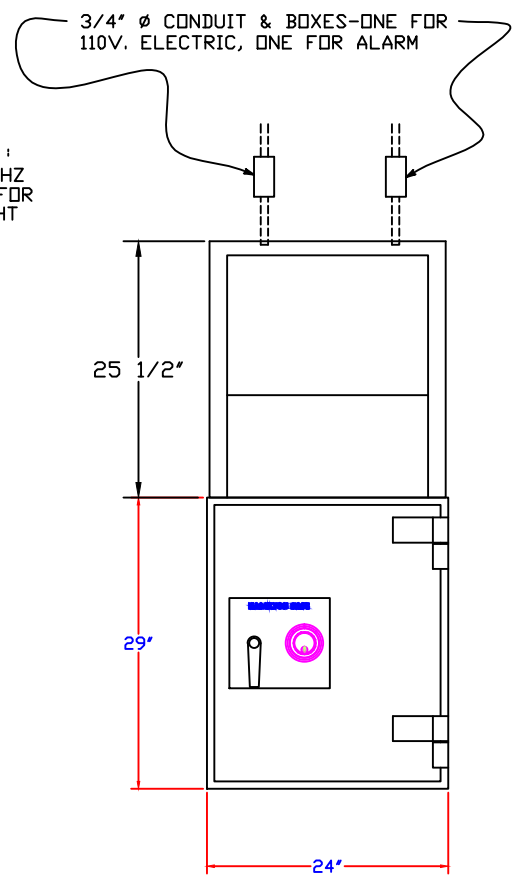
Rev - 1	09-16-11 UPDATED FOR A.D.A.
Rev - 2	11-3-11 corrected m.o. H



MASONRY DETAIL  
(VIEWED FROM OUTSIDE)



SECTION



INTERIOR

EQUIPMENT

- 1.) 80UC U. L. DEPOSITORY
- 2.) CHEST 29"H x 24"W x 24"D, TL-15  
RIGHT SWING

<b>HAMILTON SAFE</b>	
80UC (WALK-UP) TRADITION SYSTEM	
Drawing Number : 92-560	Date : 3-17-92