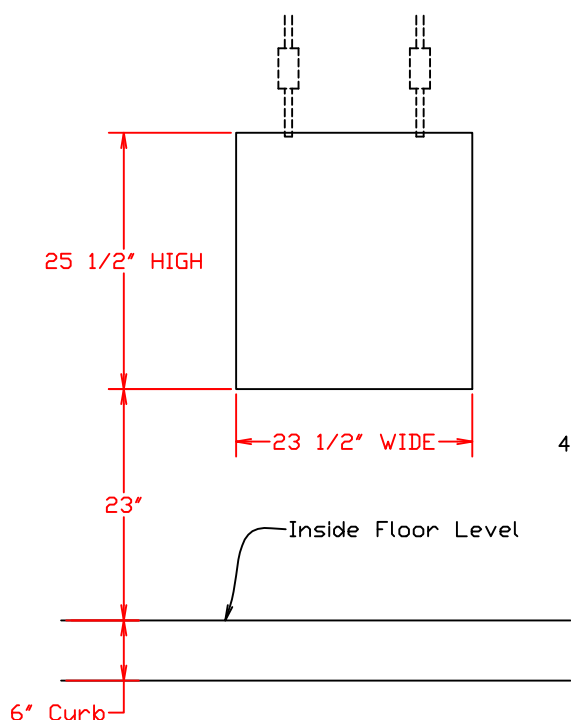
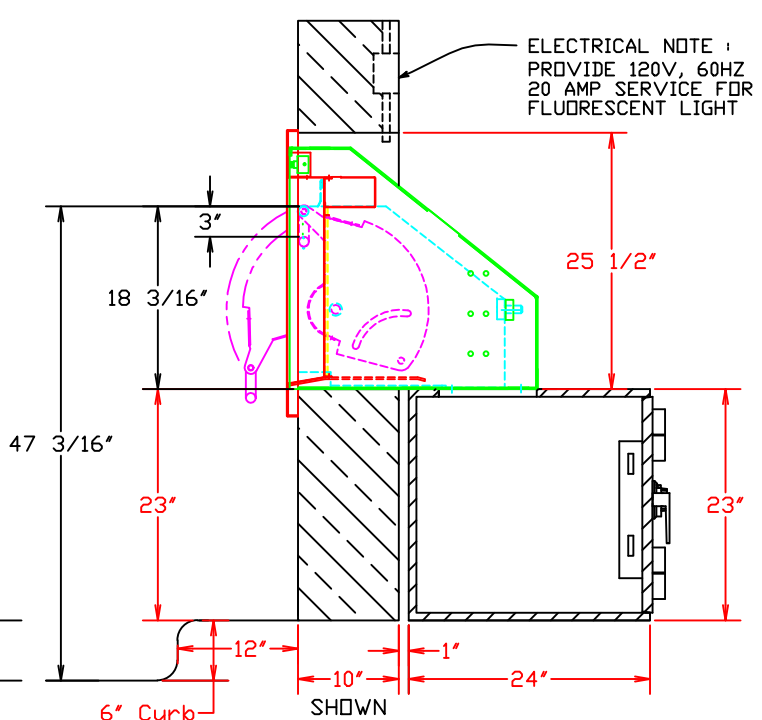


Rev - 1	01-05-09 UPDATED DRAWING
Rev - 2	5/10/12 UPDATED DRAWING



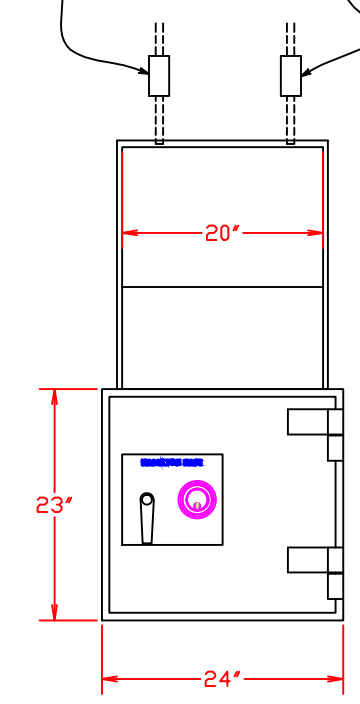
MASONRY DETAIL
(VIEWED FROM OUTSIDE)



SECTION

3/4" Ø CONDUIT & BOXES-ONE FOR 110V. ELECTRIC, ONE FOR ALARM

ELECTRICAL NOTE :
PROVIDE 120V, 60HZ
20 AMP SERVICE FOR
FLUORESCENT LIGHT



INTERIOR

EQUIPMENT

- 1.) 80UC U. L. DEPOSITORY
- 2.) CHEST 23" H x 24" W x 24" D, TL-15
RIGHT SWING

HAMILTON SAFE	
80UC (DRIVE-UP) TRADITION SYSTEM	
Drawing Number : 92-559	Date : 3-17-92