

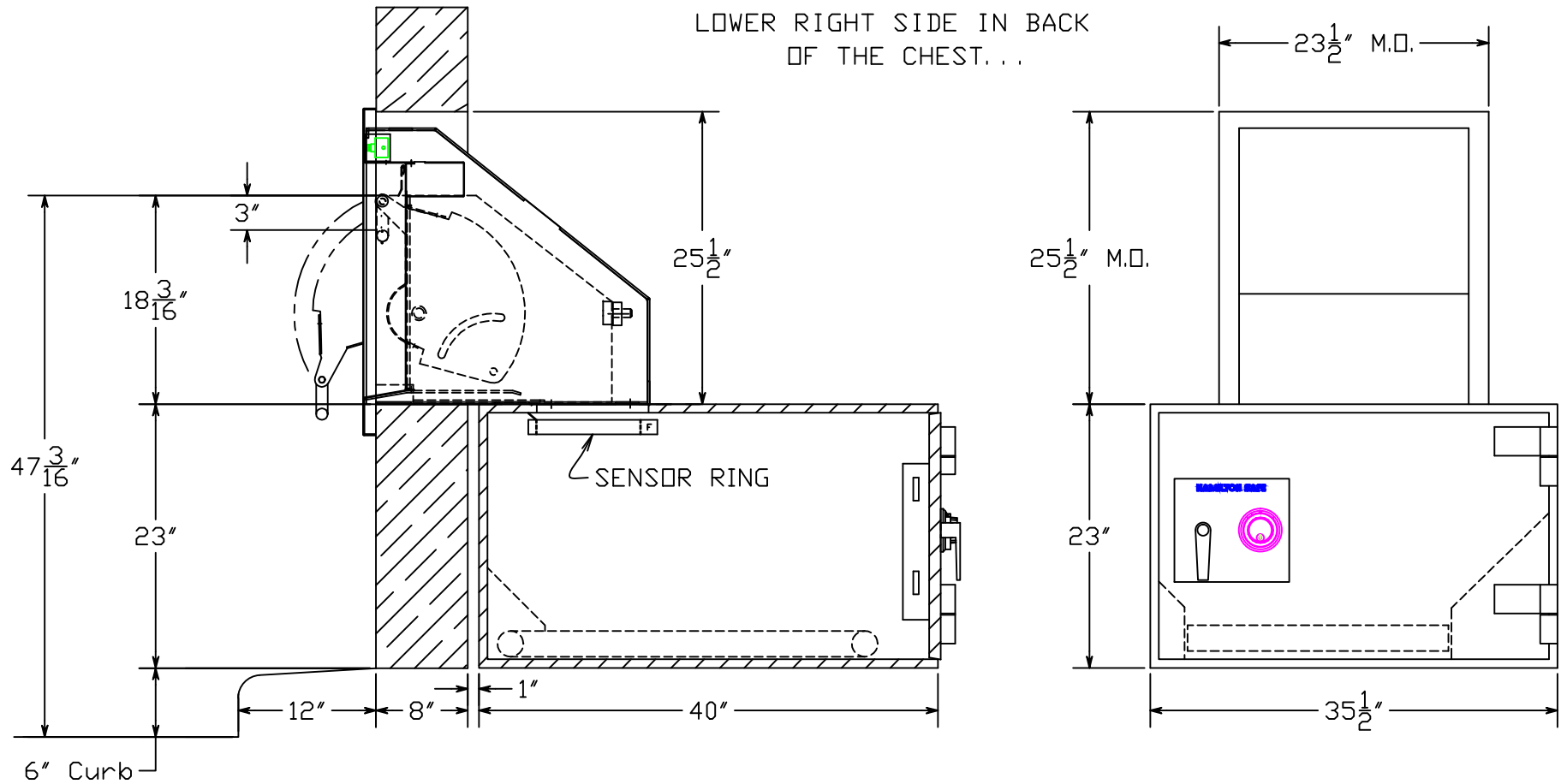
Rev - 1 01-05-09 UPDATED DRAWING

Rev - 2 5/10/12 UPDATED DRAWING.

25 1/2" HIGH x 23 1/2" WIDE WALL OPENING

NOTE

ELECTRICAL FOR CONVEYOR UNIT
EXITS THE CHEST THROUGH THE
LOWER RIGHT SIDE IN BACK
OF THE CHEST...



HAMILTON SAFE	
80UC (DRIVE-UP) WITH CONVEYOR SYSTEM (CHEST EMPTYING SWITCH)	
Drawing Number : 92-557	Date : 2-12-92